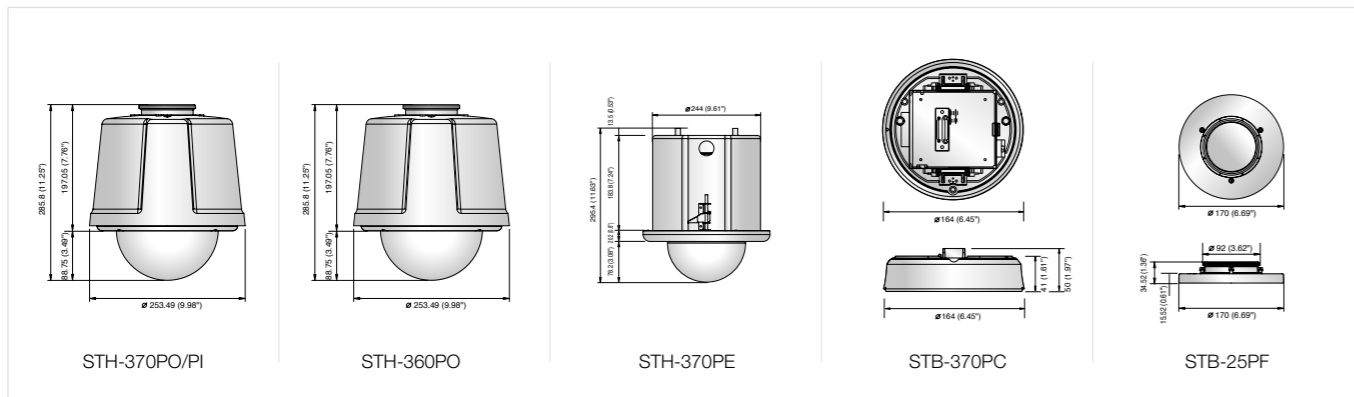


Housing & Mount for PTZ Dome Camera (SPD-3750/3750T/3350)

	STH-370PO/PI (Outdoor/Indoor Housing)	STH-360PO (Outdoor Housing)	STH-370PE (In-Ceiling Housing)	STB-370PC (Ceiling Mount)	STB-25PF (Flange)	
Operating Temperature	-40°C ~ 50°C	-40°C ~ 50°C	-10°C ~ 50°C	-20°C ~ 50°C	-20°C ~ 50°C	
Operating Humidity	0 to 90% RH / 0 to 90% RH (non-condensing)	0 to 90% RH	0 to 90% RH (non-condensing)	0 to 90% RH	0 to 90% RH	
Materials	Housing	ALDC 12	ALDC 10	EGI 1.2T	ALDC 12	EGI 2T
	Ring	ALDC 12	ALDC 12	ABS	N/A	N/A
	Dome	Poly Carbonate	Poly Carbonate	N/A	N/A	N/A
Antivibration / Waterproof	IP 67	IP 67	N/A	N/A	N/A	
Dimensions (WxH)	Ø285.8 x 253.49mm (Ø11.25" x 9.98")	Ø285.8 x 253.49mm (Ø11.25" x 9.98")	Ø244 x 295.4mm (Ø9.61" x 11.63")	Ø164 x 41mm (Ø6.45" x 1.61")	Ø170 x 34.5mm (Ø6.7" x 1.36")	
Weight	3.2Kg (7.1 lb)	2.08Kg (4.6 lb)	740g (1.63 lb)	1.3Kg (2.87 lb)	410g (0.9 lb)	

Dimensions

Unit : mm (inch)



Housing & Mount for PTZ Dome Camera (SPD-3300/3000/2300)

	STH-330POV/PIV (Outdoor/Indoor Housing)	STH-320PO (Outdoor Housing)	STH-330PEV (In-Ceiling Housing)	STB-330PC (Ceiling Mount)	STB-20PF (Flange)	
Operating Temperature	-20°C ~ 50°C (STH-330POV / -10°C ~ 50°C (STH-330PIV)	-20°C ~ 50°C	-10°C ~ 50°C	-20°C ~ 50°C	-20°C ~ 50°C	
Operating Humidity	0 to 90% RH (STH-330POV) / 0 to 90% RH (non-condensing, STH-330PIV)	0 to 90% RH	0 to 90% RH (non-condensing)	0 to 90% RH	0 to 90% RH	
Materials	Housing	ALDC 12	ALDC 10	EGI 1.2T	ALDC 12	EGI 2T
	Ring	ALDC 12	ALDC 12	ABS	N/A	N/A
	Dome	Poly Carbonate	Poly Carbonate	N/A	N/A	N/A
Antivibration / Waterproof	IP 67	IP 67	N/A	N/A	N/A	
Dimensions (WxH)	Ø242x 284.5mm (Ø9.53" x 11.2")	Ø243 x 281mm (Ø9.57" x 11.06")	Ø235 x 188.5mm (Ø9.25" x 7.42")	Ø183 x 48.5mm (Ø7.2" x 1.91")	Ø183 x 3mm (Ø7.2" x 0.12")	
Weight	3.02Kg (6.66 lb)	1.55Kg (3.41 lb)	890g (1.96 lb)	1.3Kg (2.87 lb)	300g (0.66 lb)	

Dimensions

Unit : mm (inch)

