

**Stylish and Compact Design,
Easy Installation**



Actual Size

**2.5X/2.4X Varifocal lens built-in
Color CCD Camera**
SOC-4020

The SOC-4020 series are high resolution cameras available with 2.5X or 2.4X built-in auto iris varifocal lens for increased flexibility and ease of installation. The unit achieves a horizontal resolution of 480TV lines and a minimum illumination of 0.5 Lux at F1.2. It features backlight compensation, sharpness control, flickerless control, and white balance. Moreover, its compact and fashionable design is suitable for modern interior places such as banks, hotels, theaters, restaurants, airports, department stores, and office buildings.

2.5X/2.4X Varifocal lens built-in Color CCD Camera

SOC-4020



Features

- 1/3" 410,000 pixels
- Built-in 2.5X/2.4X varifocal lens with auto iris
- Excellent backlight compensation
- Minimum illumination of 0.5 lux at F1.2
- Horizontal resolution of 480TV lines
- White balance (ATW)
- Sharpness
- Flickerless
- 24VAC, 12VDC



Rear Panel

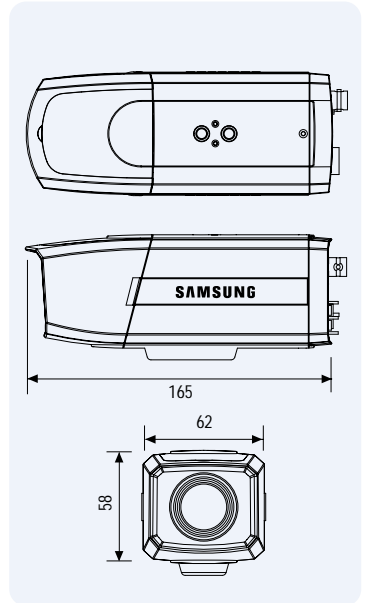


SOC-4020NA/ND/PA/PD

Specifications

Mode	SOC-4020NA/W	SOC-4020ND/W	SOC-4020PA/W	SOC-4020PD/W
Power Source	24VAC, 60Hz	12VDC	24VAC, 50Hz	12VDC
Power Consumption	3.5W (Max)	2.5W (Max)	3.5W (Max)	2.5W (Max)
Image Pick-up Device	1/3" Color Interline-Transfer CCD			
Total Pixels	816(H) x 494(V)		798(H) x 584(V)	
Effective Pixels	771(H) x 492(V)		753(H) x 582(V)	
Scanning System	2 : 1 Interlace			
Synchronization	INT / LL Selectable (0-270° Adjustable)	INT	INT / LL Selectable (0-270° Adjustable)	INT
Min. Illumination	0.5Lux / F1.2 (30 IRE)			
Video Output	VBS: 1Vp-p, 75Ω unbalanced			
Resolution	480 TV Lines			
Scanning Frequency	15,734KHz(H) / 60Hz(V)		15,625KHz(H) / 50Hz(V)	
AGC	Built-in			
White Balance	ATW / ATC Selectable			
BLC Function	ON / OFF Selectable			
Sharpness	High / Normal Selectable			
Flickerless	ON / OFF Selectable (ON: 1/100sec)		ON / OFF Selectable (ON: 1/120sec)	
Lens Type	2.5X Varifocal, f=3.8-9.5, F=1:1.3-2.0 [W Series : 2.4X Varifocal, f=2.5-6.0, F=1:1.3-1.9 (DC Iris lens adjustable)]			
S/N Ratio	more than 48dB (weight ON)			
Operating Temperature	-10°C ~ +50°C(14°F-122°F) / 30% ~ 90%RH			
Dimension	62(W) x 58(H) x 165(D)mm			
Weight (Without Lens)	300g	290g	300g	290g

Dimensions



Applications



Hotel

Bank

Department Store

Hospital

Elevator

Restaurant

Classroom

Casino

Office

www.samsungcctv.com

SAMSUNG TECHWIN CO., LTD

145-3 Sangdaewon 1-Dong, Jungwon-Gu,
Sungnam, Kyungki-Do, Korea 462-121
TEL: +82-31-740-8137~8141 FAX: +82-31-740-8145

SAMSUNG OPTO-ELECTRONICS AMERICA, INC.

ELECTRONIC IMAGING DIV.
40 Seaview Drive, Secaucus NJ 07094, U.S.A
TEL: +1-201-902-0347 FAX: +1-201-902-0429
Homepage: www.samsungcctv-info.com

SAMSUNG TECHWIN MOSCOW OFFICE

LENNINGRADSKY PR-KT, 37-A. KORP.14
RUSSIA, 125167, MOSCOW
TEL: +7-095-258-9296, 9298 FAX: +7-095-258-9297

SAMSUNG OPTO-ELECTRONICS UK LTD.

Samsung House, 1000 Hillwood Drive
Hillwood Business Park Chertsey Surrey KT16 OPS
TEL: +44 (0)1932 455 308 FAX: +44 (0)1932 455 325

TIANJIN SAMSUNG OPTO-ELECTRONICS CO.,LTD

7 Pingchang Rd, Nankai Dist, Tianjin, P.R China
Post Code - 300190
TEL: +86-22-27614724 (33821) FAX: +86-22-27616514



Design and specifications are subject to change without notice.

■ DISTRIBUTED BY

