

# The Wise Choice for Professionals



## SNV-6084R

2MP 1080p Full HD Vandal-Resistant Network IR Dome Camera

- Max. 2M (1920 x 1080) resolution, 1080p Full HD support
- 60fps@1080p Full HD
- Simple focus
- 3 ~ 8.5mm (2.8x) motorized varifocal lens
- Day & Night (ICR), Enhanced DIS, Defog
- WDR (100dB, 30fps@2MP)
- Built-in SD/SDHC/SDXC memory slot
- Multi-crop streaming, IP66, IK10

The SNV-6084R is a vandal-resistant IR dome camera from Samsung Techwin WiseNetIII network ranges, which feature the most advanced functions from Samsung with 2 megapixel 1080p high definition images. Its high level of functionalities includes 100dB WDR which delivers 30fps at 2 megapixel 1080p, built-in IR LEDs creating clear images even in the darkness of 0 lux, and motorized varifocal lens which result in easy focus control. With enhanced features and new technologies to combat the challenges of tough environmental conditions, the SNV-6084R will meet the professional security needs of the market. In addition, rated to IP66/IK10, it can work effectively in more demanding environments that are prone to severe or varying weather conditions as well as tampering or physical attack.

# SNV-6084R



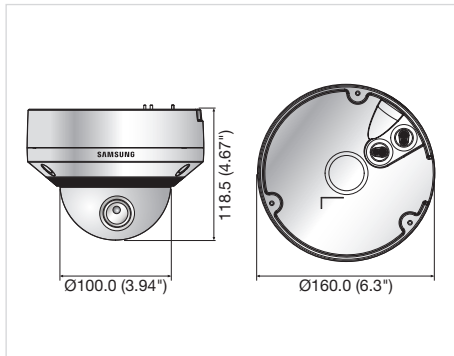
## Specifications

|                                  | SNV-6084RN/P  |
|----------------------------------|---|
| <b>VIDEO</b>                     |   |
| Imaging Device                   | 1/2.8" PS Exmor 2.38M CMOS  |
| Total Pixels                     | 1,952(H) x 1,116(V)   |
| Effective Pixels                 | 1,944(H) x 1,104(V)   |
| Scanning System                  | Progressive   |
| Min. Illumination                | Color : 0.1Lux (1/30sec, F1.2, 50IRE), 0.0017Lux (2sec, F1.2, 50IRE), B/W : 0Lux (IR LED on)  |
| S / N Ratio                      | 50dB  |
| Video Output                     | CVBS : 1.0 Vp-p / 75Ω composite, 704 x 480(N), 704 x 576(P), for installation, DIP connector type   |
| <b>LENS</b>                      |   |
| Focal Length (Zoom Ratio)        | 3 ~ 8.5mm (2.8x) motorized varifocal  |
| Max. Aperture Ratio              | F1.2  |
| Angular Field of View            | H : 105.5°(Wide) ~ 37.1°(Tele) / V : 57.5°(Wide) ~ 21.0°(Tele)  |
| Min. Object Distance             | 0.5m (1.64ft)   |
| Focus Control                    | Simple focus (Motorized V/F) / Manual<br>Remote control via network (Manual, Simple focus)  |
| Lens Type                        | DC auto iris  |
| Mount Type                       | Board-in type   |
| <b>PAN / TILT / ROTATE</b>       |   |
| Pan / Tilt / Rotate Range        | 0° ~ 354° / 0° ~ 67° / 0° ~ 355°  |
| <b>OPERATIONAL</b>               |   |
| IR LED                           | 12ea  |
| Viewable Length                  | 15m (49.21ft)   |
| Camera Title                     | Off / On (Displayed up to 45 characters)  |
| Day & Night                      | Auto (ICR) / Color / B/W / External / Schedule  |
| Backlight Compensation           | Off / BLC   |
| Wide Dynamic Range               | 100dB†  |
| Contrast Enhancement             | SSDR (Samsung Super Dynamic Range) (Off / On)   |
| Digital Noise Reduction          | SSNR III (2D+3D noise filter) (Off / On)  |
| Digital Image Stabilization      | Off / On  |
| Defog                            | Off / Auto / Manual   |
| Motion Detection                 | Off / On (4ea 4points polygonal zones)  |
| Privacy Masking                  | Off / On (32zones with 4points of polygonal)  |
| Gain Control                     | Off / Low / Middle / High   |
| White Balance                    | ATW / AWC / Manual / Indoor / Outdoor   |
| Electronic Shutter Speed         | Minimum / Maximum / Anti flicker  |
| Flip / Mirror                    | Off / On  |
| Intelligent Video Analytics      | Tampering, Virtual line, Enter/Exit, Appear / Disappear, Audio detection, Face detection  |
| Alarm I/O                        | Input 1ea / Output 1ea  |
| Alarm Triggers                   | Motion detection, Tempering, Audio detection, Face detection, Video analytics, Network disconnection, Alarm input   |
| Alarm Events                     | File upload via FTP and E-mail, Notification via E-mail, TCP, Local storage (SD/SDHC/SDXC) recording at Network disconnected & Event (Alarm triggers), External output  |
| <b>NETWORK</b>                   |   |
| Ethernet                         | RJ-45 (10/100BASE-T)  |
| Video Compression Format         | H.264 (MPEG-4 part 10/AVC), MJPEG   |
| Resolution                       | 1920 x 1080, 1280 x 1024, 1280 x 960, 1280 x 720, 1024 x 768, 800 x 600, 800 x 450, 640 x 480, 640 x 360, 320 x 240, 320 x 180  |
| Max. Framerate                   | H.264 : Max. 60fps at all resolutions<br>MJPEG : 1920 x 1080, 1280 x 1024, 1280 x 960, 1280 x 720, 1024 x 768 : Max. 15fps<br>800 x 600, 800 x 450, 640 x 480, 640 x 360, 320 x 240, 320 x 180 : Max. 30fps   |
| Video Quality Adjustment         | H.264 : Compression level, Target bitrate level control, MJPEG : Quality level control  |
| Bitrate Control Method           | H.264 : CBR or VBR, MJPEG : VBR   |
| Streaming Capability             | Multiple streaming (Up to 10 profiles)  |
| Audio In                         | Selectable (Mic in / Line in), Max output level : 1 Vrms  |
| Audio Out                        | Supply voltage : 2.5V DC (4mA), Input impedance : approx. 2K Ohm<br>Line out (3.5mm stereo mini jack)   |
| Audio Compression Format         | G.711 u-law / G.726 selectable, G.726 (ADPCM) 8KHz, G.711 8KHz  |
| Audio Communication              | G.726 : 16Kbps, 24Kbps, 32Kbps, 40Kbps  |
| IP                               | Bi-directional audio  |
| Protocol                         | IPv4, IPv6  |
| Security                         | TCP/IP, UDP/IP, RTP/UDP, RTP(TCP), RTCP/RTSP, NTP, HTTP, HTTPS, SSL, DHCP, PPPoE, FTP, SMTP, ICMP, IGMP, SNMPv1/v2c/v3(MIB-2), ARP, DNS, DDNS, QoS, PIM-SM, UPnP, Bonjour   |
| Streaming Method                 | HTTP(S)/SSL login authentication, Digest login authentication   |
| Max. User Access                 | IP address filtering, User access log, 802.1x authentication  |
| Memory Slot                      | Unicast / Multicast   |
| Application Programming Interfac | 15 users at unicast mode  |
| Webpage Language                 | Micro SD/SDHC/SDXC  |
| Web Viewer                       | Motion images recorded in the SDXC/SDHC/SD memory card can be downloaded  |
| Central Management Software      | ONVIF profile S, HTTP API v2.0, SNMP 1.2  |
| ENVIRONMENTAL                    | English, French, German, Spanish, Italian, Chinese, Korean, Russian, Japanese, Swedish, Danish, Portuguese, Turkish, Polish, Czech, Rumanian, Serbian, Dutch, Croatian, Hungarian, Greek, Norwegian, Finnish  |
| Operating Temperature / Humidity | Supported OS : Windows XP / VISTA / 7 / 8, MAC OS X 10.7  |
| Storage Temperature / Humidity   | Supported Browser : Microsoft Internet Explorer (Ver. 10, 9, 8, 7), Mozilla Firefox (Ver. 19, 18, 17, 16, 15, 14, 13, 12, 11, 10, 9), Google Chrome (Ver. 25, 24, 23, 22, 21, 20, 19, 18, 17, 16, 15), Apple Safari (Ver. 6.0.2(Mac OS X 10.8, 10.7 only), 5.1.7) * Mac OS X only |
| Ingress Protection               | SmartViewer 4.0   |
| Vandal Resistance                | 24V AC : -40°C ~ +55°C (-40°F ~ +131°F) / Less than 90% RH  |
| <b>ELECTRICAL</b>                | 12V DC, PoE : -10°C ~ +55°C (+14°F ~ +131°F) / Less than 90% RH   |
| Input Voltage / Current          | -30°C ~ +60°C (-22°F ~ +140°F) / Less than 90% RH   |
| Power Consumption                | IP66 grade  |
| <b>MECHANICAL</b>                | IK10  |
| Color / Material                 | Ivory / Aluminum  |
| Dimensions (WxH)                 | Ø160.0 x 118.5mm (Ø6.3" x 4.67")  |
| Weight                           | 960g (2.12 lb)  |

\* Data recorded on an SD memory card may be lost or damaged by data access during power-off, mechanical shock, memory card detachment, or other operations. Data loss or damage can also occur when a memory card reaches end of life, which varies according to operational conditions. No guarantee is given against damage (including passive damage).

## Dimensions

Unit : mm (inch)



## Accessory (Optional)



The Eco mark represents Samsung Techwin's will to create environment-friendly products, and indicates that the product satisfies the EU RoHS Directive.

Design and specifications are subject to change without notice.

■ DISTRIBUTED BY

**SAMSUNG TECHWIN CO., LTD.** 701, Sampyeong-dong, Bundang-gu, Seongnam-si, Gyeonggi-do Korea 463-400  
Tel : +82-70-7147-8741~8749, 8752~8760 Fax : +82-31-8018-3745 www.samsungsecurity.com www.samsungcctv.com

**SAMSUNG TECHWIN AMERICA INC.**  
100 Challenger Rd, Suite 700 Ridgely Park, NJ 07860  
Toll Free : +1-877-213-1222 Direct : +1-201-325-6920  
Fax : +1-201-373-0124

**SAMSUNG TECHWIN EUROPE LTD.**  
2st floor No5, The Height, Brookland, Weybridge, Surrey, U.K.  
KT13 0NY  
Tel : +44-1932-82-6700 Fax : +44-1932-82-6701

**SHANGHAI SAMSUNG TECHWIN CO., LTD.**  
32F, Bk B, International Business Center,  
No. 391 Guiping Rd., Shanghai, China, 200233  
Tel : +86-21-5427-1155 Fax : +86-21-5423-5122



**SAMSUNG TECHWIN**