



SAMSUNG TECHWIN

iPOLiS

Clarity is Different!

Megapixel IP Video



High Performance Megapixel Network Camera

SNC-1300



The SNC-1300 is a high definition network camera designed with industry-leading image quality and high performance processing power. The SNC-1300 re-defines the video security imaging performance, delivering high resolution, advanced lowlight capabilities, consistent color science, and fast processing power. The SNC-1300 features analog BNC output eliminating the need for a computer for monitoring. The SNC-1300 features both dual voltage plus Power over Ethernet making it easy for installers to use.

- Built-in 1.32 megapixel progressive CCD sensor
- Supports Dual Codec (MPEG-4/JPEG)
- High resolution image (1,280 x 960, 1,280 x 720P)
- Ultra low light levels of 0.3Lux
- PoE and SD memory slot support

Preliminary

High Performance Megapixel Network Camera

SNC-1300

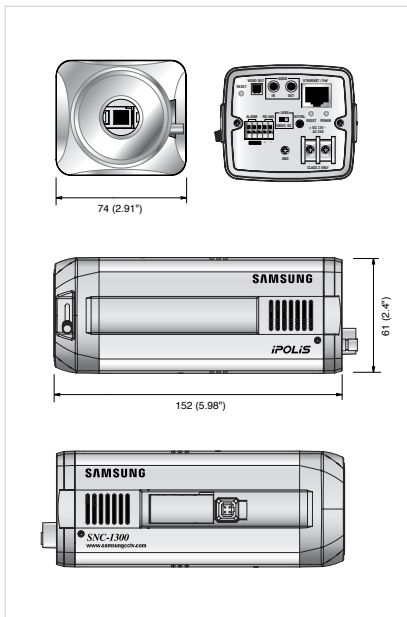


Specifications

		SNC-1300
VIDEO		
Imaging Device		1/3" Progressive Scan CCD
Total Pixels		1,348(H) x 976(V), 1.32M Pixels
Effective Pixels		1,296(H) x 966(V), 1.25sM Pixels
Scanning System		Progressive
Horizontal Resolution		Color : 800TV lines (Min.), B/W : 800TV Lines (Min.)
Min. Illumination		Color : 0.3Lux (50 IRE@F1.2), B/W : 0.002Lux (50 IRE@F1.2)
S / N (Y signal)		50dB
Day & Night		Auto (ICR) / Color / B/W
Backlight Compensation		On / Off
Privacy Masking		On / Off (8 Programmable zones)
Sens-up (Frame Integration)		Auto / Off (Selectable limit ~ 32X)
Gain Control		High / Low / Off
White Balance		ATW / AWC / Manual
Lens Control		DC / Video
PERFORMANCE		
Encoding	Resolution	1,280 x 960, 1,280 x 720P, D1, CIF, QCIF
	Compression	MPEG-4 / JPEG dual codec
	Transmission Speed	Up to 100Mbps
Network	Max. Remote Users	20 Simultaneously (Depending on image quality)
	Protocol Support	RTP/UDP, RTP/TCP, RTSP, RTCP, IGMP, TCP/IP, DHCP, DNS, DDNS, HTTP, SMTP, FTP, PPPoE and NTP
Security	Password Protection	5 User level
INTERFACE		
Monitor	Output	1 BNC (Dedicated cable connector for installation)
	Input	1 Line / MIC in, Mono, 1Vpp, 5.6K ohm
Audio	Output	1 Line out, 1Vpp
	Compression	ADPCM
	Sampling Rate	8KHz
Alarm	Inputs	Terminal 1 input, NO/NC
	Outputs	Terminal 1 output, NO/NC
	Remote Notification	Via e-mail or FTP
Connections	Ethernet	RJ-45 10/100 Base-T
	PTZ Control Interface	RS-485
Storage	SD (SDHC) Memory	Stored event image, Back up
GENERAL		
Input Voltage		Dual (12V DC/ 24V AC), PoE (IEEE 802.3af)
Power Consumption		Max. 8.5W
Operating Temperature		-10°C ~ +50°C
Operating Humidity		30% ~ 80% RH
Dimension (WxHxD)		74 x 61 x 152mm (2.91" x 2.4" x 5.98")
Weight		580g (1.28 lb)
Lens Mount		C / CS

Dimensions

Unit : mm (inch)



The Eco mark represents Samsung Techwin's will to create environment-friendly products, and indicates that the product satisfies the EU RoHS Directive.

Design and specifications are subject to change without notice.



SAMSUNG TECHWIN CO., LTD.

145-3, Sangdaewon 1-dong, Jungwon-gu, Seongnam-si, Gyeonggi-do Korea 462-703
Tel : +82-31-740-8151~8 Fax : +82-31-740-8145
www.samsungipolis.com

SAMSUNG TECHWIN AMERICA Inc.
1480 Charles Willard St, Carson, CA 90746, UNITED STATES
Tel Free : +1-877-213-1222 Fax : +1-310-632-2195
www.samsungcctvusa.com

SAMSUNG TECHWIN EUROPE CO., LTD.
Samsung House, 1000 Hillwood Drive, Hillwood Business Park
Chertsey, Surrey, UNITED KINGDOM KT16 OPS
Tel : +44-1932-45-5300 Fax : +44-1932-45-5325

TIANJIN SAMSUNG TECHWIN OPTO-ELECTRONICS CO., LTD.
No.11 Wei 6 Street, Micro-Electronic Industrial Park
Jingang Road, Tianjin, P.R. CHINA 300385
Tel : +86-22-23887788 Fax : +86-22-23887788

■ DISTRIBUTED BY

