

The Key Solution for Any applications



SCU-EVAC

Explosion Proof Positioning System

- Integrated Pan/ Tilt, and Housing
- 360° Continuous Pan Rotation
- Tilt Range of +90° to -90°
- IP66
- Optional accessory : receiver unit

The SCU-EVAC is an explosion proof positioning system accepting various camera/lens combinations to provide pan & tilt. It offers continuous 360° rotation with an extended -90° to 90° tilt range. Internal positioning encoders allow for all 40 prepositions enabling convenient monitoring for the areas of interests. With certification of ATEX and IECEx, the SCU-EVAC will be an ideal solution for hazardous applications such as gas/oil plants which are at risk of explosion.

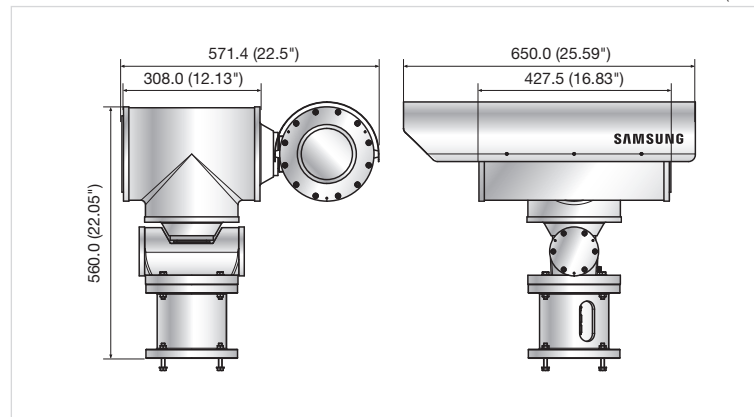


Specifications

SCU-EVAC	
PAN / TILT / ROTATE	
Pan Range	0° ~ 360°
Pan Speed	6°/sec
Tilt Range	-90° ~ 90°
Tilt Speed	2.4°/sec
Preset	40
OPERATIONAL	
Alarm	4 in 2 out
Communication	RS-485
Protocol	Pelco-D
ENVIRONMENTAL	
Operating Temperature / Humidity	-20°C ~ +50°C (-4°F ~ +122°F)
Ingress Protection	IP66
ELECTRICAL	
Input Voltage / Current	24V AC
Power Consumption	Max. 20W
MECHANICAL	
Color / Material	Ivory / Aluminum
Dimensions (WxHxD)	571.4 x 427.5 x 650.0mm (22.5" x 16.83" x 25.59"), Sunshield excluded
Weight	56.5Kg (124.56 lb)

Dimensions

Unit : mm (inch)



Accessory (Optional)



The Eco mark represents Samsung Techwin's will to create environment-friendly products, and indicates that the product satisfies the EU RoHS Directive.

Design and specifications are subject to change without notice.

■ DISTRIBUTED BY

SAMSUNG TECHWIN CO., LTD. 701, Sampyeong-dong, Bundang-gu, Seongnam-si, Gyeonggi-do Korea 463-400
Tel : +82-70-7147-8741~8749, 8752~8760 Fax : +82-31-8018-3745 www.samsungsecurity.com www.samsungcctv.com

SAMSUNG TECHWIN AMERICA INC.
100 Challenger Rd, Suite 700 Ridgeland Park, NJ 07660
Toll Free : +1-877-213-1222 Direct : +1-201-325-6920
Fax : +1-201-373-0124

SAMSUNG TECHWIN EUROPE LTD.
2st floor No5, The Height, Brookland, Weybridge, Surrey, U.K.
KT13 0NY
Tel : +44-1932-82-6700 Fax: +44 1932 82 6701

SHANGHAI SAMSUNG TECHWIN CO., LTD.
32F, Bk B, International Business Center,
No. 391 Guiping Rd., Shanghai, China, 200233
Tel : +86-21-5427-1155 Fax : +86-21-5423-5122



SAMSUNG TECHWIN