

HD-SDI 2M Compact Dome Camera

SCD-6021

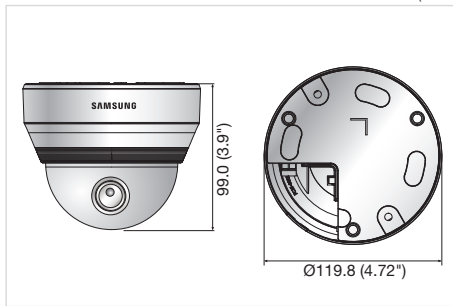
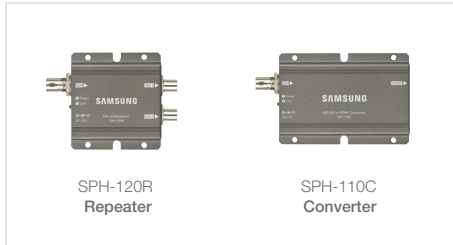
1080p HD-SDI WDR Dome Camera

- Full HD (1920 × 1080, 30fps) mega resolution,
HD (1280 × 720, 60fps)
- Min. Illumination 0.5Lux@F2.0 (Color)
- Built-in fixed lens (3.8mm)
- Day & Night, WDR (100dB), MD
- SSNR III (3D+2D), 12V DC



**Dimensions**

Unit : mm (inch)

**HD-SDI Kit****Accessory (Optional)**

The Eco mark represents Samsung Techwin's will to create environment-friendly products, and indicates that the product satisfies the EU RoHS Directive.

SCD-6021N/P

VIDEO	
Imaging Device	1/3" Progressive scan CMOS
Total Pixels	2,010(H) x 1,108(V), 2.2M pixels
Effective Pixels	1,944(H) x 1,092(V), 2.1M pixels
Scanning System	Progressive
Min. Illumination	Color : 0.5Lux (F2.0, 50IRE), 0.0025Lux (F2.0, Sen-up 60x, 50IRE)
Video Output	SMPTE292M (HD-SDI)
LENS	
Focal Length (Zoom Ratio)	3.8mm (Fixed)
Max. Aperture Ratio	F2.0
Angular Field of View	H : 84.5° / V : 45.8° / D : 98.8°
Min. Object Distance	0.5m (1.64ft)
Focus Control	Fixed
Mount Type	Board-in type
PAN / TILT / ROTATE	
Pan Range	0° ~ 354°
Tilt Range	0° ~ 67°
Rotate Range	0° ~ 355°
OPERATIONAL	
On Screen Display	English, Korean, French, German, Spanish, Italian, Chinese, Russian, Polish, Swedish, Danish, Portuguese, Japanese, Serbian, Czech, Romanian, Turkish
Camera Title	Off / On (Displayed up to 15 characters)
Day & Night	Auto (Electrical) / External / Color / B/W
Backlight Compensation	Off / User BLC / HLC / WDR
Wide Dynamic Range	100dB
Contrast Enhancement	SSDR (Off / On)
Digital Noise Reduction	SSNRIII (Off / On)
Digital Image Stabilization	Off / On
Motion Detection	Off / On
Privacy Masking	Off / On (16ea rectangular zones)
Sens-up (Frame Integration)	2x ~ 60x
Gain Control	Off / Low / Medium / High
White Balance	ATW / Outdoor / Indoor / Manual / AWC (1,700°K ~ 11,000°K)
Electronic Shutter Speed	ESC / A.FLK / Manual
Digital Zoom	Off / On (1x ~ 16x)
Reverse	Off / H-Rev / V-Rev / HV-Rev
Profile	Basic / Day & Night / Backlight / ITS / Indoor / User / Bank
Intelligent Video Analytics	Tampering, Virtual line, Enter / Exit, Appear / Disappear
Alarm	(MD) output 1
Remote Control Interface	RS-485
Protocol	RS-485 : Samsung-T/E, Pelco-D/P, Panasonic, Bosch, Honeywell, Vicon, AD, GE
ENVIRONMENTAL	
Operating Temperature / Humidity	-10°C ~ +55°C (+14°F ~ +131°F) / Less than 90% RH
ELECTRICAL	
Input Voltage / Current	12V DC ±10%
Power Consumption	Max. 6W
MECHANICAL	
Color / Material	Ivory / Plastic
Dimensions (WxH)	Ø119.8 x 99.0mm (Ø4.72" x 3.9")
Weight	435g (0.96 lb)
TRANSMISSION DISTANCE	
5C2V (75ohm)	Max. 100 ~ 140m
L-6CHD (75ohm)	Max. 200m

* This transmission distance is theoretically calculated number, and real transmission distance can be affected by installation environment.

Design and specifications are subject to change without notice.

■ DISTRIBUTED BY

SAMSUNG TECHWIN CO., LTD.

6, Pangyo-ro 319beon-gil, Bundang-gu, Seongnam-si, Gyeonggi-do, SEOUL 463-400 Rep. of KOREA
Tel : +82-70-7147-8741 ~ 8749, 8752-8760 Fax : +82-31-8018-3745 www.samsungsecurity.com www.samsungcctv.com
COPYRIGHT BY SAMSUNG TECHWIN. ALL RIGHT RESERVED

SAMSUNG TECHWIN AMERICA Inc.

100 Challenger Rd. Suite 700 Ridgefield Park, NJ 07660
Toll Free : +1-877-213-1222 Direct : +1-201-325-6920
Fax : +1-201-373-0124

SAMSUNG TECHWIN EUROPE LTD.

2nd Floor, No. 5 The Heights, Brooklands, Weybridge,
Surrey, KT13 0NY, UK
Tel : +44-1932-82-6700 Fax : +44-1932-82-6701

SHANGHAI SAMSUNG TECHWIN CO., LTD.

32F, Blk B, International Business Center,
No. 391 Guiping Rd., Shanghai, China, 200233
Tel : +86-21-5427-1155 Fax : +86-21-5423-5122

**SAMSUNG TECHWIN**