

# Upgraded image quality



## SCD-2022

### Premium Resolution Dome Camera

- High resolution of 700TV lines
- Min. Illumination 0.15Lux color (F1.2, 50IRE)
- Built-in fixed lens 3.8mm
- Day & Night (Electrical) SSNRIII, Defog
- Coax : Pelco-C (Coaxitron), Dual power

The SCD-2022 is a discreet general purpose analog fixed dome camera suitable for a wide range of applications. It incorporates the 6<sup>th</sup> generation Winner engine from Samsung Techwin that features premium level resolution at 700TV lines in sharp mode and other core functionalities such as SSNRIII, software day & night, and defog. It provides clear images under challenging environments, the SCD-2022 would be a perfect solution for who is looking for a cost effective high quality video surveillance camera.

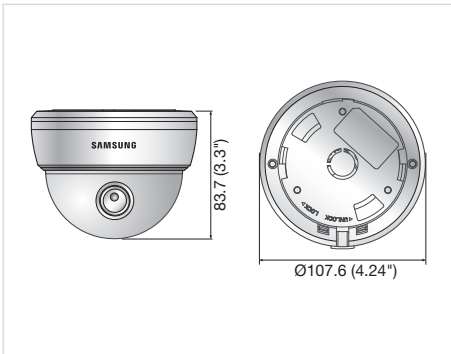


## Specifications

	SCD-2022N	SCD-2022P
<b>VIDEO</b>		
Imaging Device	1/3" Super HAD CCD II	
Total Pixels	1,020(H) x 508(V)	1,020(H) x 596(V)
Effective Pixels	976(H) x 494(V)	976(H) x 582(V)
Scanning System	2 : 1 Interlace	
Synchronization	Internal	
Frequency	H : 15.734KHz / V : 59.94Hz	H : 15.625KHz / V : 50Hz
Horizontal Resolution	700TV lines (ER mode)	
Min. Illumination	0.15Lux@F1.2 (50IRE), 0.0002Lux (Sens-up, 512x)	
S / N Ratio	52dB (AGC off, Weight on)	
Video Output	CVBS : 1.0 Vp-p / 75Ω composite	
<b>LENS</b>		
Focal Length (Zoom Ratio)	3.8mm (Fixed)	
Max. Aperture Ratio	F2.0	
Angular Field of View	H : 78° / V : 59°	
Min. Object Distance	0.4m (1.31ft)	
Lens Type	Fixed	
Mount Type	Board type	
<b>PAN / TILT</b>		
Pan Range	0° ~ 352°	
Tilt Range	0° ~ 75°	
<b>OPERATIONAL</b>		
On Screen Display	English, Japanese, Spanish, French, Portuguese, Korean	English, French, German, Spanish, Italian, Chinese, Russian, Polish, Czech, Romanian, Serbian, Swedish, Danish, Turkish, Portuguese
Camera Title	Off / On (Displayed 15 characters)	
Day & Night	Auto (Electrical) / Color / B/W	
Backlight Compensation	Off / BLC / HLC	
Contrast Enhancement	SSDR (Off / On)	
Digital Noise Reduction	SSNR III (Off / On)	
Defog	Off / Auto / Manual	
Motion Detection	Off / On	
Privacy Masking	Off / On (8 programmable zones)	
Sens-up (Frame Integration)	2x ~ 512x	
Gain Control	Off / Low / Middle / High	
White Balance	ATW / Outdoor / Indoor / Manual / AWC (1,800°K ~ 10,500°K)	
Electronic Shutter Speed	1/60 ~ 1/120,000sec	1/50 ~ 1/120,000sec
Reverse	H-Rev (Off / On)	
Communication	Coaxial control (SPC-300 compatible)	
Protocol	Coax : Pelco-C (Coaxitron)	
<b>ENVIRONMENTAL</b>		
Operating Temperature / Humidity	-10°C ~ +55°C (+14°F ~ +131°F) / Less than 90% RH	
<b>ELECTRICAL</b>		
Input Voltage / Current	12V DC ±10%	
Power Consumption	Max. 1.2W	
<b>MECHANICAL</b>		
Color / Material	Ivory / Plastic (Dome cover : Smoked)	
Dimensions (WxHxD)	Ø107.6 x 83.7mm (Ø4.24" x 3.3")	
Weight	233g (0.51 lb)	

## Dimensions

Unit : mm (inch)



The Eco mark represents Samsung Techwin's will to create environment-friendly products, and indicates that the product satisfies the EU RoHS Directive.

Design and specifications are subject to change without notice.

## DISTRIBUTED BY

**SAMSUNG TECHWIN CO., LTD.** 701, Sampyeong-dong, Bundang-gu, Seongnam-si, Gyeonggi-do Korea 463-400  
Tel : +82-70-7147-8741~8749, 8752~8760 Fax : +82-31-8018-3745 www.samsungsecurity.com www.samsungcctv.com

**SAMSUNG TECHWIN AMERICA INC.**  
100 Challenger Rd., Suite 700 Ridgely Park, NJ 07660  
Toll Free : +1-877-213-1222 Direct : +1-201-325-6920  
Fax : +1-201-373-0124

**SAMSUNG TECHWIN EUROPE LTD.**  
2st floor No5, The Height, Brookland, Weybridge, Surrey, U.K.  
KT13 0NY  
Tel : +44-1932-82-6700 Fax : +44 1932 82 6701

**SHANGHAI SAMSUNG TECHWIN CO., LTD.**  
32F, Bk B, International Business Center,  
No. 391 Guiping Rd., Shanghai, China, 200233  
Tel : +86-21-5427-1155 Fax : +86-21-5423-5122

**SAMSUNG TECHWIN**