

Impressive Cost Performance Ratio

SCD-2021R

High Resolution Small IR Dome Camera

- High resolution of 650TV lines
- Min. Illumination 0Lux (IR LED on), IR distance 20m
- Built-in fixed lens (3.6mm), DNR, 12V DC



High Resolution Small IR Dome Camera

SCD-2021R

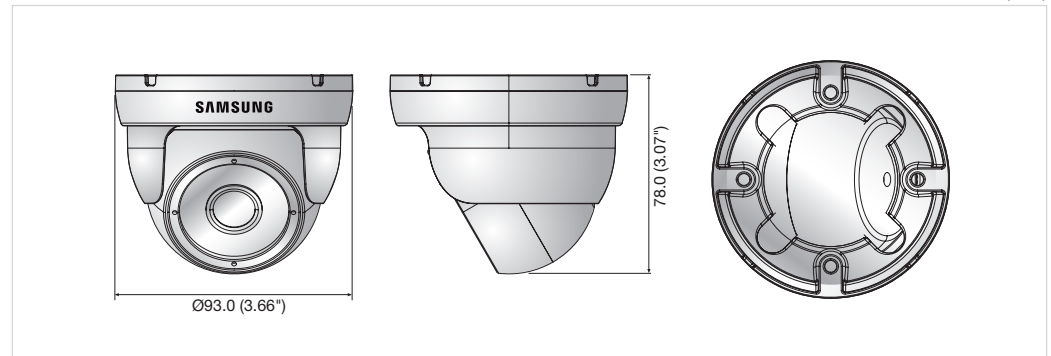


Specifications

	SCD-2021RN	SCD-2021RP
VIDEO		
Imaging Device	1/3" CMOS	
Total Pixels	680(H) x 512(V)	
Scanning System	2 : 1 Interlace	
Synchronization	Internal	
Frequency	H : 15.734Hz / V : 59.94Hz	H : 15.625Hz / V : 50Hz
Horizontal Resolution	Color : 650TV lines	
Min. Illumination	0Lux (IR LED on)	
S / N Ratio	46dB (AGC off, Weight on)	
Video Output	CVBS : 1.0 Vp-p / 75Ω composite	
LENS		
Focal Length (Zoom Ratio)	3.6mm	
Angular Field of View	H : 75.7° / V : 66° / D : 90°	
Min. Object Distance	0.2m (0.66ft)	
Lens Type	Fixed	
Mount Type	Board type	
OPERATIONAL		
Day & Night	Auto	
Digital Noise Reduction	Auto	
Gain Control	Auto	
White Balance	Auto (3,200°K ~ 6,500°K)	
IR Distance	20m (IR LED 12ea)	
ENVIRONMENTAL		
Operating Temperature / Humidity	-10°C ~ +40°C (+14°F ~ +104°F) / Less than 90% RH	
ELECTRICAL		
Input Voltage / Current	12V DC	
Power Consumption	Not fixed	
MECHANICAL		
Color / Material	Ivory / Plastic	
Dimensions (WxH)	Ø93.0 x 78.0mm (Ø3.66" x 3.07")	
Weight	160g (0.35 lb)	

Dimensions

Unit : mm (inch)



The Eco mark represents Samsung Techwin's will to create environment-friendly products, and indicates that the product satisfies the EU RoHS Directive.

Design and specifications are subject to change without notice.

■ DISTRIBUTED BY

SAMSUNG TECHWIN AMERICA Inc.

100 Challenger Rd. Suite 700 Ridgefield Park, NJ 07660

Toll Free : +1-877-213-1222 Direct : +1-201-325-6920

Fax : +1-201-373-0124



SAMSUNG TECHWIN