

# 34x Optical Zoom High Speed Dome Camera

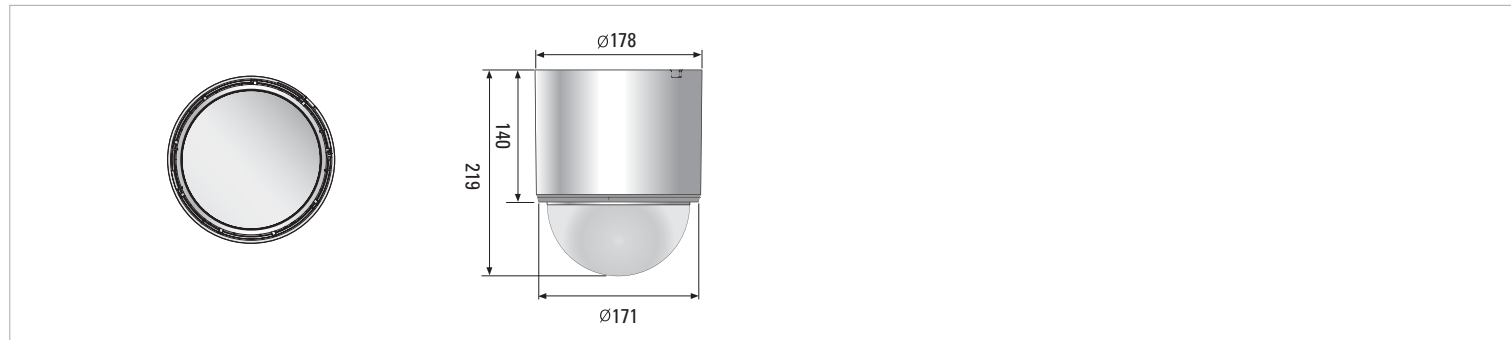
# SCC-C6437/C6439 NEW



## Features

- 1/4" SONY 410K/470K Pixels Super-HAD IT CCD (SCC-C6437)
- 1/4" SONY 410K/470K Pixels Ex-View HAD PS CCD (SCC-C6439)
- 34x Optical & 16x(0.1step) Digital Zoom
- High Resolution : 600 TV Lines
- Min. illumination 0.0007 Lux (F1.2, 15 IRE, Sens-up 512x, Color)
- 0.00007 Lux (F1.2, 15 IRE, Sens-up 512x, B/W)
- 0~360° Endless Pan, -6~186° Tilting (D-Flip)
- Pan/Tilt Speed Min. 0.01°/sec, Max. 600°/sec
- Preset 512 ea, Auto Pan 4 ea, Pattern 3 ea
- Wide Dynamic Range (NTSC 128x, PAL 160x) : SCC-C6439 Only
- Virtual Progressive Scan (VPS) : SCC-C6439 Only
- Day Night Function (ICR), Sens-up Function (512x)
- Adaptive Digital Noise Reduction (3D + 2D)
- Back Light Compensation (Area Setting)
- Advanced Motion Detection Function
- eXtended Dynamic Range (XDR)
- Privacy Mask Function (12ea)
- DIS (Digital Image Stabilization) • Time & Day Scheduling
- CCVC (Camera Control Via Coaxial cable, Controller : SCX-RD100)
- RS-485 (Half/Full)/RS-422 Control (Multi-Protocol support)
- Multi-Language OSD (E, F, G, S, I, J, R, P, C, etc) support
- Intelligent Video (Moved/Fixed/Fence/Tracking)
- Alarm Input 8 ea, Output 3 ea
- Operating Temp. : -10 ~ 50°C

## Dimensions (unit:mm)



## Specifications

Model	SCC-C6437		SCC-C6439
Camera Type	Color/BW		
Image	Device	1/4" Super-HAD IT CCD	
	Pixels	Effective	768 x 494 (NTSC) / 752 x 582 (PAL)
Resolution	Horizontal		
Min. Scene Illumination	Color	Sens-up Off	0.6Lux(15IRE), 1.2Lux(30IRE), 2Lux(50IRE)
Pan/Tilt	Speed	Sens up 512x	0.001Lux(15IRE), 0.002Lux(30IRE), 0.004Lux(50IRE)
		Sens-up Off	0.06Lux(15IRE), 0.12Lux(30IRE), 0.2Lux(50IRE)
		Sens up 512x	0.0001Lux(15IRE), 0.0002Lux(30IRE), 0.0004Lux(50IRE)
Functions	Range	Manual Pan	0.01°/sec ~ 180°/sec
		Preset Pan	600°/sec
		Manual Tilt	0.01°/sec ~ 180°/sec
		Preset Tilt	600°/sec
Video Output	S/N Ratio	Panning / Tilting	0°~360°(Endless) / -6°~186°
		Number of Auto PAN	4 ea
		Number of Preset	512 ea
		Number of Pattern	3 ea
		Number of Privacy Zone	12 ea
		Day/Night / Motion Detection	Auto / Day / Night(ICR) / Yes, Sensitivity 1~7 Level
		Wide Dynamic Range	-
		D-Zoom / High Speed Shutter	Yes(~16x) / 1/100~1/10K sec
		Sens Up / BLC	Yes(2x ~ 512x) / Off/On
		AGC	Off/On (Very Low / Low / Mid / High / Very High / User / Fix)
		Auto Focus	Manual / Auto (pan, tilt, zoom linked) / one AF
		Synchronization	Internal / Line lock
		Camera ID	Max 54 Character, 2 Line
		VPS(Virtual Progressive Scan)	-
		XDR(eXtended Dynamic Range)	Off/On(Low/Middle/High)
DNR(Digital Noise Reduction)	Off/On(Low/Middle/High/User(3D/2D))		
Schedule	Day / Time Schedule		
White Balance	ATW1 / ATW2 / AWC(Manual) / 3200 / 5600		
Video Output	VBS 1.0Vp-p	VBS 1.0Vp-p	
S/N Ratio	52 dB		
Lens	Focal Length / Min. Object Distance		3.4 ~ 115.6mm / 100cm
	Zoom Ratio / Aperture Ratio		34x Optical (544x with 16x Digital zoom) / F1.65(W)/F3.7(T)
	Viewing Angle	Tele	1.77°(H) x 1.33°(V)
		Wide	57.58°(H) x 44.44°(V)
Lens Drive Type / Mount Type		DC Auto Iris / Board-in type	
OSD	Yes		
Alarm	Input / Output		8 ea / 3 ea (2 Open Collector, 1 relay)
Remote Control	RS485(Half/Full Duplex)/RS422, CCVC		
Environmental Conditions	Operating Temperature		-10°C ~ +50°C
	Operating Humidity		Less than 90%
Power	Power Requirement		24 VAC
	Power Consumption		11W
	LED Indicator		Yes
Physical Specification	Dimensions		178(Ø) x 219(H)mm
	Weight		2.0kg
	Color		Light Gray