

## Bullet Type Camera

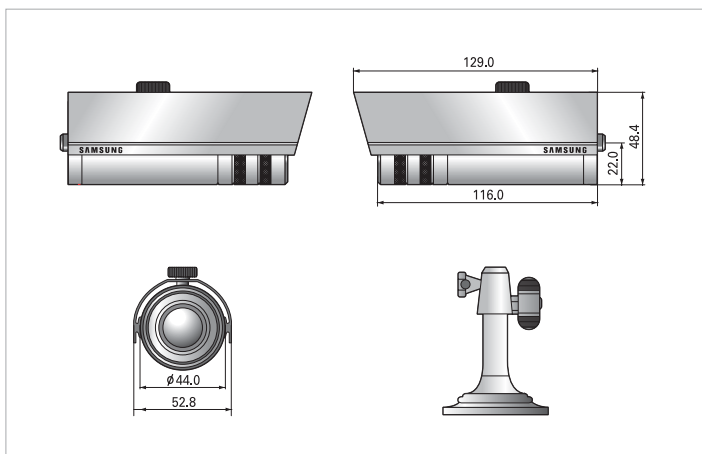
# SCC-B9221 NEW



### Features

- 1/3" 410K/470K pixels Super HAD CCD
- 480 TV lines resolution
- Minimum scene illumination : 0.3 Lux at F1.2
- 4~9mm vari-focal fixed iris lens built-in F1.5
- Externally adjustable focal length & focus by ring
- Back light compensation
- Back, top and bottom side bracket mounting available
- Water resistant (IP66)
- Size: 44(φ) x 116(L)mm

### Dimensions (unit:mm)



### Specifications

Model		SCC-B9221
Imaging Device		1/3" Super-HAD IT CCD
Effective Pixels		768(H)x494(V)
Scanning Method		Interlace
Scanning Line	Horizontal	15.734Hz
Frequency	Vertical	60Hz
Synchronization Method		Internal
Horizontal Resolution		480 TV Lines
Signal Output		VBS 1.0Vp-p
S/N Ratio		48dB
Minimum Scene Illumination	Color	0.3Lux
	B/W	-
Lens	Focal Length	4 ~ 9 mm
	Aperture Ratio	F1.5
	Viewing Angle	Tele 31.5°(H)x23.6°(V)
	Wide Angle	68.1°(H)x50.5°(V)
Functions	Wide Dynamic Range	N/A
	Day & Night	N/A
	Motion Detection	N/A
	High Speed Shutter	N/A
	Sens Up	N/A
	BLC	On
	AGC	Auto
	ELC	On
	Camera ID	N/A
	Line Lock	N/A
White Balance	ATW	
Alarm Input/Output		N/A
Remote Control	RS485	N/A
Operating Temperature		-10°C ~ +50°C
Operating Humidity		Less than 90%
Power Requirement		DC 12V ±10%
Power Consumption		1.7W
Weight		705g
Dimensions		44(φ) x 116(L)mm
Color		Gray