

SCC-B5352/B5353 SCC-B5354/B5355

1/3" Color Vari-Focal Dome Camera

Summary

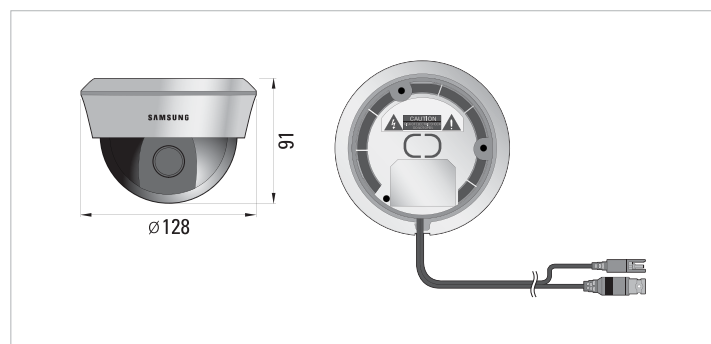
The SCC-B535X series cameras are variable dome cameras that reduce or eliminate the image blurring effect that results from video capture of a moving object. With its interior-friendly color and elegant design, the SCC-B535X series cameras are suited for luxurious interior spaces.

Specifications

Model	SCC-B5352	SCC-B5353	
Camera Type	1/3" Day & Night Color Fixed Dome Camera		
Image	Device	Super-HAD IT CCD	
	Effective Pixels	NTSC 811(H) x 508(V) PAL 795(H) x 596(V)	
Scanning System	NTSC : 525 Line, 2:1 Interlace / PAL : 625 Line, 2:1 Interlace		
Minimum Scene Illumination	Color	0.0009(Sens up 128X, 15IRE)Lux	
	B/W	0.00009(Sens up 128X, 15IRE)Lux	
Functions	Day & Night	Yes(Electric)	
	Sens Up(LSS)	Off, AUTO 128X	
	BLC	Yes(On/Off)	
	FLC	Yes(On/Off)	
Horizontal Resolution	540TV Lines		
Video Output	VBS 1.0Vp-p (75Ω, composite)		
Lens	Focal Length	2.5~6.0mm	
	Viewing Angle	Horizontal	108°(Wide) ~ 46°(Tele)
		Vertical	80°(Wide) ~ 34°(Tele)
Operating Temperature	-10°C~50°C		
Operating Humidity	Within 90% RH		
Power Requirement	AC24V / DC12V compatible		
Power Consumption	1.7W		
Weight	327g		
Dimensions	128(ø) x 91(H)mm		
Body Color	White	SCC-B5352	
	Titan Silver	SCC-B5352S	
		SCC-B5353	
		SCC-B5353S	

* SCC-B5354 is same as SCC-B5352 except for Focal length of Lens. (2.9~10mm)
SCC-B5355 is same as SCC-B5353 except for Focal length of Lens. (2.9~10mm)

Dimensions (unit:mm)



Features

- Horizontal resolution : 540 TV Lines
- Minimum scene illumination : (SCC-B5352 : 0.0009Lux
SCC-B5353 : 0.0009(color)/0.00009(B/W)Lux)
- Horizontal and vertical mirroring
- 3-Axis Design
- DNR (Digital Noise Reduction)
- Variable focal length of lens (2.5-6mm / 2.9-10mm)

Convenient Installation

The SCC-B535X camera uses horizontal and vertical mirroring functions to provide correct images regardless of the cameras installation environment.

