

# SCC-B23 13/B23 15 SCC-B20 13P/B20 15P

1/3" High Resolution WDR Color Camera



## Summary

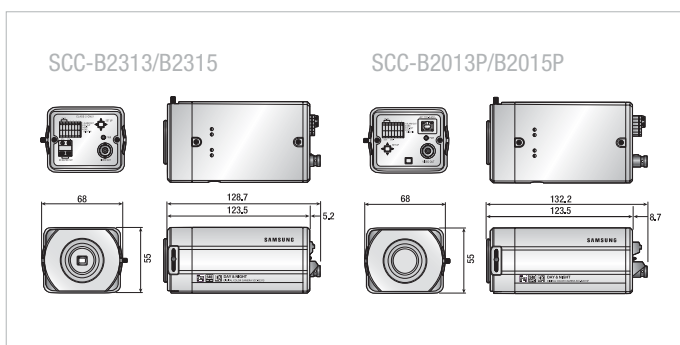
The SCC-B2313/B2315 is a high resolution color camera equipped with 1/3" Super HAD Progressive scan CCD which delivers excellent Wide Dynamic Range. It produces sharp images even in harsh lighting conditions that have large contrasts between lightness and darkness.



## Features

- 1/3" Super HAD Progressive CCD
- Day & Night (Moving filter)
- Horizontal resolution : 540(color)/570(B/W) TV Lines
- DNR (Digital Noise Reduction)
- Minimum scene illumination : 0.0005(color)/0.00005(B/W) Lux
- WDR (Wide Dynamic Range) - (SCC-B2313/B2013P is not available)
- 24ea Privacy Zones
- Motion Detection
- 2X D-Zoom
- OSD (On Screen Display)
- RS485 remote control
- AC24V / DC12V (B2013/B2015P : AC220V only)

## Dimensions (unit:mm)



## Specifications

Model	SCC-B2313	SCC-B2315
Imaging Device	1/3" Super-HAD PS CCD, 410K(PAL:470K) pixels	
Effective Pixels	NTSC : 768(H)x494(V) / PAL : 752(H)x582(V)	
Scanning Method	2:1 Interlace	
Scanning	Horizontal	NTSC : 15.750Hz / PAL : 15.625Hz
Line Frequency	Vertical	NTSC : 60Hz / PAL : 50Hz
Synchronization Method	Internal / Line lock (V PHASE control)	
Horizontal Resolution	Color	540 TV Lines
B/W	570 TV Lines	
Signal Output	VBS 1.0Vp-p(75 ohm, composite)	
S/N Ratio	S/N Ratio	50dB
	Mount Type	C/CS Mount Compatible
Minimum Scene Illumination	Color	0.0005(Sens up 256X, 15IRE)Lux
	B/W	0.00005(Sens up 256X, 15IRE)Lux
Functions	Privacy Zone	Off/On(24EA)
	Day & Night	DAY/NIGHT/AUTO/EXT
	Motion Detection	Off/On(4EA)
	Wide Dynamic Range	No <input type="checkbox"/> Yes <input type="checkbox"/>
	D-Zoom	Off ~ 2X
	High Speed Shutter	Off ~ 1/10K sec
	Sens Up	Off ~ 256X
	BLC	Off/On(Area setting)
	AGC	Off/Low/High
	ELC	Off/On(Max.1/100K sec)
	Line lock	Off/On
	Camera ID	Off/On
	White Balance	ATW1/ATW2/AWC/MANUAL
	OSD	Yes
Alarm Output	Yes(1EA)	
Remote Control	RS485(Half)	
Operating Temperature	-10°C ~ 50°C	
Operating Humidity	Within 90% RH	
Power Requirement	AC24V / DC12V compatible	
Power Consumption	3.5W	
Weight	410g	
Dimensions	68(W) x 55(H) x 128.7(D)mm	

\* SCC-B2013P is same as SCC-B2313 except for Power Requirement (AC 220V~240V)  
 SCC-B2015P is same as SCC-B2315 except for Power Requirement (AC 220V~240V)