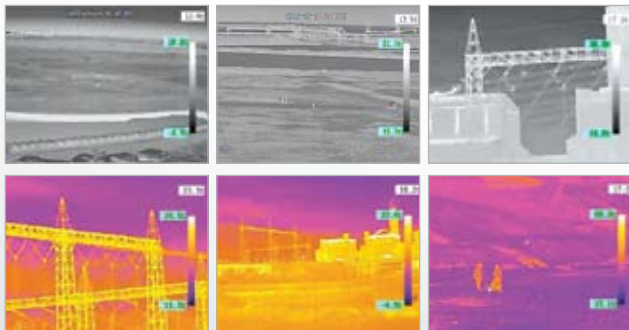


SAMSUNG

Zero Light Detection



Weatherproof Thermal Camera

SCB-9060/9080

- Outstanding detection without lighting 360m (SCB-9060), 1.2Km (SCB-9080)
- Built-in 14mm, 1.68mrad (SCB-9060), 50mm, 0.47mrad (SCB-9080)
- Event Alarm, Multi-language OSD, RS-485, IP66, 24VAC

Weatherproof Thermal Camera

SCB-9060/9080

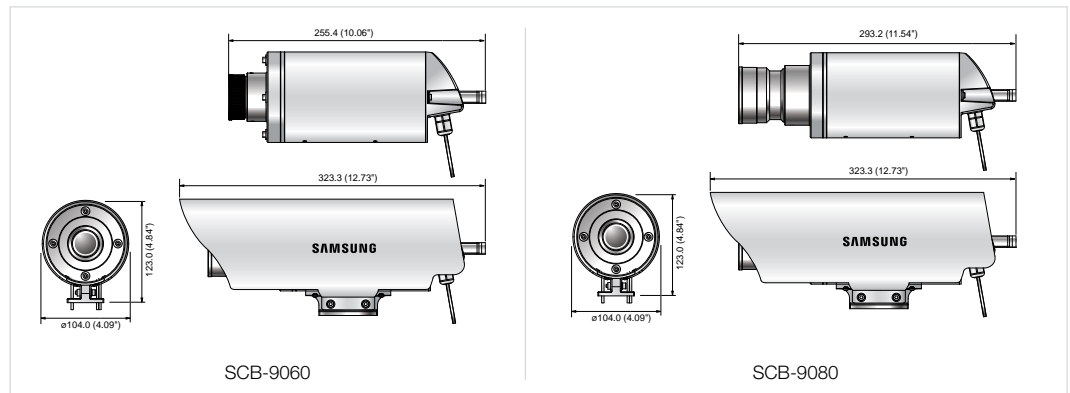


Specifications

	SCB-9060N/9080N	SCB-9060P/9080P
VIDEO		
Imaging Device	320(H) x 240(H) uncooled VOX microbolometer	
Sensor Pitch	23.5µm	
Measured Wavelength Range	8 ~ 14µm, LWIR	
Video Ratio (Sensor)	30fps	25fps
Thermal Sensitivity	<80mK @ F1.0	
Video Output	CVBS 1.0 Vp-p / 75Ω composite, ITU-656 8bit Digital Output	
LENS		
Focal Length (Zoom Ratio)	14mm (Fixed) : SCB-9060, 50mm (Fixed) : SCB-9080	
Max. Aperture Ratio	1 : 1.4	
Angular Field of View (HxV)	30° x 22.8° : SCB-9060, 8.6° x 6.5° : SCB-9080	
Min. Object Distance	3m ~ ∞, Pan focus : SCB-9060, 27m ~ ∞, Pan focus : SCB-9080	
IFOV (Instantaneous Field of View)	1.68mrad : SCB-9060, 0.47mrad : SCB-9080	
Focus Control	Manual	
OPERATIONAL		
On Screen Display	Multi Language OSD (19 Languages) English, French, German, Spanish, Italian, Portuguese, Russian, Polish, Czech, Serbian, Swedish, Romanian, Danish, Turkish, Korean, Japanese, Chinese, Taiwanese, Thai	
NUC (Non-Uniformity Correction)	Auto / Manual Selectable	
Temperature Range	-40°C ~ +500°C	
Digital AE	Bypass, Min / Max, Weight Mode Selectable	
Brightness	32 Steps Adjustable	
Sharpness	32 Steps Adjustable	
Contrast Enhancement	32 Steps Adjustable	
Digital Noise Reduction	2D / 3D Adaptive DNR, Off / Low / Middle / High Selectable	
Digital Zoom	Off / On, 1.1X ~ 4.0X Selectable	
Temperature Display	Area Adjustable 8 Zone & Position Movable Cross Point	
ISOTherm	Isolated Temperature Display	
Pseudo Color	B/W, W/B, Color1, Color2 Selectable	
Temp Indicator	Min / Max Scene Temperature with Color Bar	
Alarm	Temperature Detection, 1 GPIO Alarm Output	
Communication	RS-485, Coax (Pelco Coaxitron Compatible)	
Protocol	Samsung-T/E, Pelco-P/D, Panasonic, AD, Honeywell, Bosch, Vicon, GE	
ENVIRONMENTAL		
Operating Temperature / Humidity	-30°C ~ +55°C (-22°F ~ +131°F) / Less than 90% RH	
Ingress Protection	IP66	
PHYSICAL		
RoHS Compliant	Yes	
ELECTRICAL		
Input Voltage / Current	24V AC ±10%	
Power Consumption	Max. 10W / 30W (With Heater)	
MECHANICAL		
Color / Material	Ivory / Aluminum	
Dimensions (WxHxD)	104.0 x 123.0 x 323.3 mm (4.09" x 3.54" x 12.72")	
Weight	Approx. 1.6Kg (3.53 lb) : SCB-9060, Approx. 1.8Kg (3.97 lb) : SCB-9080	

Dimensions

Unit : mm (inch)



SCB-9060

SCB-9080



The Eco mark represents Samsung Techwin's will to create environment-friendly products, and indicates that the product satisfies the EU RoHS Directive.

Design and specifications are subject to change without notice.



SAMSUNG TECHWIN CO., LTD.

701, Sampyeong-dong, Bundang-gu, Seongnam-si, Gyeonggi-do Korea 463-400
Tel : +82-70-7147-8741~8749, 8752-8760 Fax : +82-31-8018-3745
www.samsungsecurity.com www.samsungcctv.com

SAMSUNG TECHWIN AMERICA INC.

100 Challenger Rd. Suite 700 Ridgefield Park, NJ 07660
Toll Free : +1-877-213-1222 Direct : +1-201-325-6920
Fax : +1-201-373-0124
www.samsungcctvusa.com

SAMSUNG TECHWIN EUROPE LTD.

Samsung House, 1000 Hillwood Drive, Hillwood Business Park
Chertsey, Surrey, UNITED KINGDOM KT16 0PS
Tel : +44-1932-45-5300 Fax : +44-1932-45-5325

TIANJIN SAMSUNG TECHWIN OPTO-ELECTRONICS CO., LTD.

No.11 Wei 6 Street, Micro-Electronic Industrial Park
Jingang Road, Tianjin, P.R. CHINA 300385
Tel : +86-22-23887788 Fax : +86-22-23887788

■ DISTRIBUTED BY

