

1080p over Coax

Samsung's 2nd generation HD-SDI Box Camera



SCB-6001

1080p HD-SDI Box Camera with Auto Back Focus

- Full HD (1920 × 1080, 30fps) mega resolution, HD (1280 × 720, 60fps)
- Min. Illumination 1Lux (Color) / 0.1Lux (B/W)@F1.2
- Samsung Simple Focus (Auto back focus)
- 100dB Wide Dynamic Range (WDR)
- True Day & Night (ICR), MD, P-iris
- SSNRIII (3D+2D), RS-485, Coax, Dual power

The SCB-6001 is Samsung's 2nd generation HD-SDI Box Camera, capable of delivering high definition video at up to 60 frames per second, with virtually zero lag, using the Serial Digital Interface (SDI) standard on conventional coaxial cable. This camera features Samsung Simple Focus, Samsung Super Dynamic Range (SSDR), and Samsung Super Noise Reduction (SSNRIII) technology, as well as a True Day Night infrared cut filter, and Wide Dynamic Range rated at 100dB.

1080p HD-SDI Box Camera with Auto Back Focus
SCB-6001



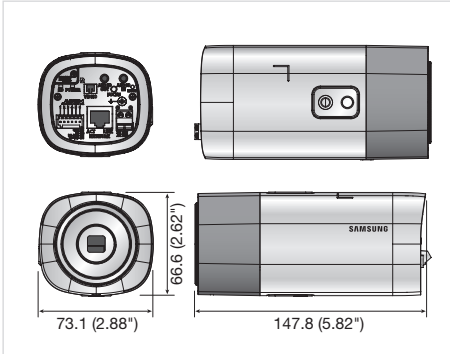
Specifications

SCB-6001N/P	
VIDEO	
Imaging Device	1/3" Progressive scan CMOS
Total Pixels	2,010(H) x 1,108(V), 2.2M pixels
Effective Pixels	1,944(H) x 1,092(V), 2.1M pixels
Scanning System	Progressive
Min. Illumination	Color : 1Lux (F1.2, 50IRE), 0.017Lux (Sens-up 60x) B/W : 0.1Lux (F1.2, 50IRE), 0.0017Lux (Sens-up 60x)
S / N Ratio	50dB (AGC off, Weight on)
Video Output	SMPT292M (HD-SDI), Monitoring CVBS
LENS	
Lens Type	Manual / DC auto iris / P-iris
Mount Type	C / CS
Auto Back Focus (ABF)	Built-in
OPERATIONAL	
On Screen Display	English, Korean, French, German, Spanish, Italian, Chinese, Russian, Polish, Swedish, Danish, Portuguese, Japanese, Serbian, Czech, Romanian, Turkish
Camera Title	Off / On (Displayed up to 15 characters)
Day & Night	Auto (ICR) / External / Color / B/W
Backlight Compensation	Off / User BLC / HLC / WDR
Wide Dynamic Range	100dB
Contrast Enhancement	SSDR (Off / On)
Digital Noise Reduction	SSNRIII (Off / On)
Digital Image Stabilization	Off / On
Motion Detection	Off / On
Privacy Masking	Off / On (4ea polygonal + 16ea rectangular zones)
Sens-up (Frame Integration)	2x ~ 60x
Gain Control	Off / Low / Medium / High
White Balance	ATW / Outdoor / Indoor / Manual / AWC (1,700°K ~ 11,000°K)
Electronic Shutter Speed	ESC / A.FLK / Manual
Digital Zoom	Off / On (1x ~ 16x)
Reverse	Off / H-Rev / V-Rev / HV-Rev
Profile	Built-in
PIP	Off / On
Intelligent Video Analytics	Tampering, Virtual line, Enter/Exit, Appear / Disappear
Alarm	(MD) output 1, External D/N in 1
Remote Control Interface	RS-485
Protocol	RS-485 : Samsung-T/E, Pelco-D/P, Panasonic, Bosch, Honeywell, Vicon, AD, GE
ENVIRONMENTAL	
Operating Temperature / Humidity	-10°C ~ +55°C (+14°F ~ +131°F) / Less than 90% RH
ELECTRICAL	
Input Voltage / Current	Dual (24V AC & 12V DC ±10%)
Power Consumption	Max. 6W
MECHANICAL	
Color / Material	Ivory / Plastic
Dimensions (WxHxD)	73.1 x 66.6 x 147.8mm (2.88" x 2.62" x 5.82")
Weight	321g (0.71 lb)
TRANSMISSION DISTANCE	
5C2V (75ohm)	Max. 100 ~ 140m
L-6CHD (75ohm)	Max. 200m

* This transmission distance is theoretically calculated number, and real transmission distance can be affected by installation environment.

Dimensions

Unit : mm (inch)

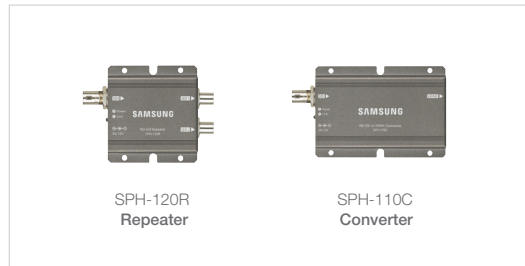


Accessory (Optional)



The Eco mark represents Samsung Techwin's will to create environment-friendly products, and indicates that the product satisfies the EU RoHS Directive.

HD CCTV Kit



Applicable Model



Design and specifications are subject to change without notice.

■ DISTRIBUTED BY

SAMSUNG TECHWIN CO., LTD.

6, Pangyo-ro 319beon-gil, Bundang-gu, Seongnam-si, Gyeonggi-do, SEOUL 463-400 Rep. of KOREA
 Tel : +82-70-7147-8741 ~ 8749, 8752 ~ 8760 Fax : +82-31-8018-3745 www.samsungsecurity.com www.samsungcctv.com

SAMSUNG TECHWIN AMERICA Inc.
 100 Challenger Rd, Suite 700 Ridgely Park, NJ 07660
 Toll Free : +1-877-213-1222 Direct : +1-201-325-6920
 Fax : +1-201-373-0124

SAMSUNG TECHWIN EUROPE LTD.
 2nd floor No5, The Height, Brookland, Weybridge, Surrey, UK
 KT13 0NY
 Tel : +44-1932-82-6700 Fax : +44 1932 82 6701

SHANGHAI SAMSUNG TECHWIN CO., LTD.
 32F, Bk B, International Business Center
 No. 391 Guiping Rd., Shanghai, China, 200233
 Tel : +86-21-5427-1155 Fax : +86-21-5423-5122



SAMSUNG TECHWIN