

# Stick to the core



High Resolution Box Camera

## SCB-1001

The SCB-1001 is a discreet general purpose analog box camera suitable for a wide range of applications. With 600 TV Lines of high resolution, it sticks to the core functionalities of video surveillance cameras and provides clear images even in low-light utilizing 2D DNR (Digital Noise Reduction) technology. Additional functions include software day & night and defog to enhance the image quality during foggy conditions. The SCB-1001 would be a perfect solution for who is looking for a cost effective high quality video surveillance camera.

- High Resolution of 600TV Lines
- Min. Illumination 0.1Lux @F1.2
- 2D DNR(Digital Noise Reduction), Defog
- Coax : Pelco-C (Coaxitron), Dual power

# High Resolution Box Camera

## SCB-1001

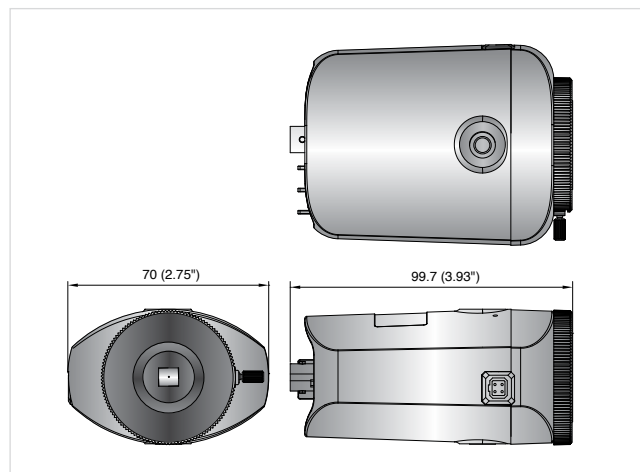


### Specifications

	SCB-1001P	SCB-1001PD
<b>VIDEO</b>		
Imaging Device	1/3" Super HAD CCD II	
Total Pixels	795(H) x 596(V)	
Effective Pixels	752(H) x 582(V)	
Scanning System	2 : 1 Interlace	
Synchronization	Internal / Line Lock	Internal
Frequency	H : 15.625KHz / V : 50Hz	
Horizontal Resolution	Color : 600 TV lines	
Min. Illumination	0.1 Lux, 50IRE @ F1.2	
S / N Ratio	52dB (AGC off, Weight on)	
Video Output	CVBS : 1.0 Vp-p / 75Ω composite	
<b>LENS</b>		
Lens Type	Manual / Auto Iris (DC)	
Mount Type	C/CS	
<b>OPERATIONAL</b>		
On Screen Display	English, French, German, Spanish, Italian, Chinese, Russian, Polish, Czech, Romanian, Serbian, Swedish, Danish, Turkish, Portuguese	
Camera Title	Off / On (Displayed 15 characters)	
Day & Night	Auto (Electrical) / Color / B/W	
Backlight Compensation	Off / BLC / HLC	
Contrast Enhancement	SSDR (Off / On)	
Digital Noise Reduction	2D DNR (Off / On)	
Privacy Masking	Off / On (4 programmable zones)	
Gain Control	Off / Low / High	
White Balance	ATW / Outdoor / Indoor / Manual / AWC (1,700K° ~ 11,000K°)	
Electronic Shutter Speed	1/50 ~ 1/120,000 sec	
Reverse	H-Rev	
Communication	Coaxial Control (SPC-300 Compatible)	
Protocol	Coax : Pelco-C (Coaxitron)	
<b>ENVIRONMENTAL</b>		
Operating Temperature / Humidity	-10°C ~ +55°C (+14°F ~ +122°F) / Less than 90% RH	
<b>PHYSICAL</b>		
RoHS Compliant	Yes	
<b>ELECTRICAL</b>		
Input Voltage	Dual (24V AC±10% & 12V DC±10%)	12V DC±10%
Power Consumption	2.3W	1.2W
<b>MECHANICAL</b>		
Color / Material	Black / Plastic	
Dimensions (WxHxD)	99.7 x 70 x 47.3mm (3.93" x 2.75" x 1.86")	
Weight	120g (0.26lb)	100g (0.22lb)

### Dimensions

Unit : mm (inch)



The Eco mark represents Samsung Techwin's will to create environment-friendly products, and indicates that the product satisfies the EU RoHS Directive.

Design and specifications are subject to change without notice.



#### SAMSUNG TECHWIN CO., LTD.

701, Sampyeong-dong, Bundang-gu, Seongnam-si, Gyeonggi-do Korea 463-400  
Tel : +82-70-7147-8741~8749, 8752-8760 Fax : +82-31-8018-3745  
www.samsungsecurity.com www.samsungcctv.com

#### SAMSUNG TECHWIN AMERICA INC.

100 Challenger Rd. Suite 700 Ridgefield Park, NJ 07660  
Toll Free : +1-877-213-1222 Direct : +1-201-325-6920  
Fax : +1-201-373-0124  
www.samsungcctvusa.com

#### SAMSUNG TECHWIN EUROPE LTD.

Samsung House, 1000 Hillwood Drive, Hillwood Business Park  
Chertsey, Surrey, UNITED KINGDOM KT16 0PS  
Tel : +44-1932-45-5300 Fax : +44-1932-45-5325

#### TIANJIN SAMSUNG TECHWIN OPTO-ELECTRONICS CO., LTD.

No.11 Wei 6 Street, Micro-Electronic Industrial Park  
Jingang Road, Tianjin, P.R. CHINA 300385  
Tel : +86-22-23887788 Fax : +86-22-23887788

■ DISTRIBUTED BY

