

4 channel D1 Network Video Encoder Blade Card

- 4 channel H.264 D1 Encoder Blade Card
- Embedded VCA Technology Video Analytics
- Audio Compression: G.711
- Dual Video Stream H.264 25/30 FPS@D1
- Deinterlacing on DSP
- RS-485 Support
- Burnt-in Text, Video Motion Detection Support
- Comprehensive SDK Support
- **ONVIF** Support

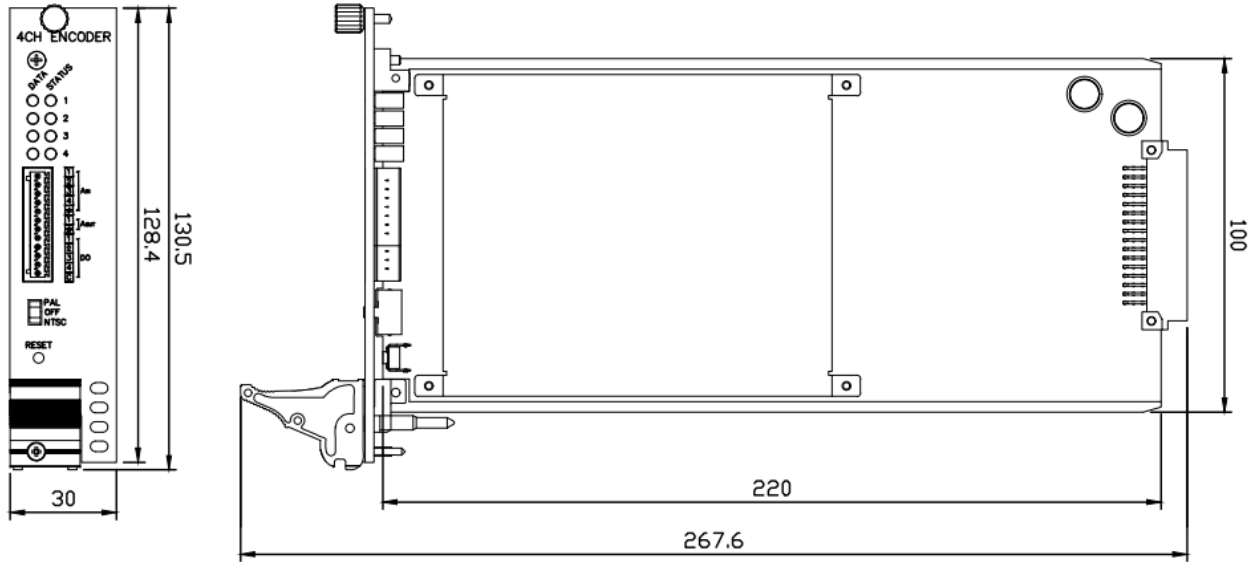


Specifications

Video	
Input	4 channel
Output	-
Compression Format	H.264, MJPEG Selectable per Stream
Number of Streams	Dual Stream, Independent Configurable
Resolution	D1, 4CIF, VGA, CIF, QCIF, QVGA
Compression FPS	25/30 fps@D1 (PAL/NTSC)
Deinterlacing	Support (DSP)
Motion Detection	Max. 8 zones with independent configuration of detection sensitivity and target object size
Burnt-in Text (Digital)	Time/Date/Name (Name up to 48 characters), flexible display position
No. of DSP Units	4 total (one per video channel)
Privacy Mask Zones	4 flexible configurable regions
Video Streaming	H.264: Controllable frame rate and image resolution, video stream bandwidth limitation (VBR/CBR) MJPEG: Controllable frame rate and image resolution, JPEG quality
Image Settings	Configurable brightness, contrast, saturation, sharpness, vertical flip & horizontal mirror function
Audio	
4x Input / 1x Output	4x Line-In: 0.178Vp-p, 10KΩ 1x Line-Out: 2.26Vp-p, 10KΩ
Compression Format	G.711
Function	
Digital Input / Output	4x Alarm In - max 50mA@5VDC, TTL 4x Alarm Out - max 50mA@24VDC, TTL
Serial Port	RS-485 terminal
Serial PTZ Protocol	American Dynamics, Bosch (LTC856), CBC (OCP485), Convex, Elbex, JVC (JCBP), Kalatel (ASCII), Panasonic (CS850), Pelco-D, Pelco-P, Samsung, TBT (T-Pro)
Network	1x 10 / 100 Base-T
No. of IP Address	4x (every channel independent IP Address)
Protocol	QoS Layer 3 DiffServ, TCP/IP, UDP/IP, HTTP, RTSP, RTCP, RTP/UDP, RTP/TCP, mDNS, UPnP™, SMTP, DHCP, DNS, DynDNS, NTP, SNMPv1/v2c/v3(MIB-II), IGMP, ICMP, SSLv2/v3, TLSv1
ONVIF	Version: 2.02 (Support Profile S)
Approvals	FCC, CE, KC, RoHs

Electrical	
Power Source	12V DC (via 19" Rack unit RE40K)
Power Consumption	(Approx) 9W @ 12V DC
Environmental	
Operating Temperature	0°C ~ 50°C (32°F ~ 122°F)
Operating Humidity	Up to 85% RH (Non-condensing)
Mechanical	
Dimension	128(W) x 268(D) mm
Color	Dark Gray
Weight (Approx)	240g
Video Content Analysis (Included as Standard)	
High Performance	Advanced tracking algorithm and low false alarm rate
Easy to Use	Intuitive web browser interface
Detection Zones and Rules	Up to 40 zones (multi-segment polygons and lines) 60 VCA filter rules in total
On-screen Display	Real-time display of tracking data and events via activeX plug-in in IE browser
Burnt in Annotation	Allows the VCA annotation to be burnt into the raw video stream for displaying on third party application
Tamper Detection	Recognize camera tampering via VCA detection (defocusing, lens covering, camera moving)
Event Actions	Notification service via TCP/IP, HTTP, multicast or email text messages with snapshot, DO-contact, file upload on external FTP server, local SD memory card recording
Video Content Analysis (Option)	
Available License	VCA detectIP, VCAcountIP, VCAaccessIP, VCAsurveillanceIP, VCAadvancedIP
VCA Detection Filters	Enter, Exit, Appear, Disappear, Stop, Direction, Dwell, Speed, Tailgating, Object Classification,
VCA Features	<ul style="list-style-type: none"> - Up to 20 Onscreen Counter Displays - Counting-Line for accuracy people and vehicle counting with local database and reporting service - VCA Event Metadata Streaming (RTSP/RTP) - VCA calibration via 3D tools for right object size detection - Object classification allow to design different Object classes to include or exclude in VCA detection rule
Info VCA	Details regarding supported VCA filters and features of the different extension licenses find on 'Filter Matrix VCA License' document

Dimensions



(Unit: mm)