

RC4100-2212-36

H.264 Indoor (RC4100/IN) / Outdoor (RC4100/OUT) PTZ Dome IP Camera

- Including Auto-Tracking License (VCAfollowIP)
- Up to 432X Zoom (Optical 36X, Digital 12X) Selectable
- H.264 25/30 FPS@D1, 2-way Audio
- Video Compression: H.264, MPEG-4, MJPEG (Dual Stream)
- Day & Night (IR Cut Filter), DSS
- De-interlacing on DSP
- Burnt-in Text, Video Motion Detection Support
- Comprehensive SDK Support
- Stealth Spin® (World Most Silent Speed Dome)
- 0.024°Dome System Accuracy with 1/8 micro Step
- Controlling Pan/Tilt Speed While Zooming
- Reliable Materials
- Power Misconnection Protection Function on RS-485 Terminal
- RC4100/OUT is an Outdoor PTZ Camera, Adding an Outdoor Housing to Indoor PTZ RC4100



Specifications

Camera Module (RC4100-2212-36)	
Image Sensor	1/4" Sony Exview HAD CCD
Number of effective Pixel	NTSC: 768(H) x 494(V) 380 K PAL: 752(H) x 582(V) 440 K
Horizontal resolution	530 TVL
Lens	Optical
	36x Optical Zoom (F=1.6~F4.5, f=3.4 to 122.4 mm)
Day & Night (ICR)	Digital
	12x (432x with optical)
Day & Night (ICR)	Auto / Day / Night
Min. Shooting Distance	0.32m (Wide) / 1.5m (Tele)
Digital Slow Shutter	ON/OFF
Minimum Illumination	0.1 Lux (50 IRE): (Normal mode), 0.01 Lux (ICR On): (Night mode)
Luminance S/N ratio	More than 50dB
BLC	ON / OFF
WDR	Support
Flicker less (NTSC)	ON / OFF
PAN / TILT	
Pan Rotation Angle	360° Quick Endless Rotation
Pan Speed	Manual
	0.5°~ 100 or 200° / sec. (64 steps)
Tilt Rotation Angle	Preset
	Max 300° / sec, Min 10° / sec
Tilt Speed	Manual
	0.5~ 45° / sec (64 steps)
System Accuracy	Preset
	Max 250°/sec, Min 200° / sec
System Accuracy	0.024°
Dome	
Presets	165 positions with 16 character labels available for each position with different speed steps
Guard Tour	Max 8 Groups (Each one consisting of up to 60 steps)
Auto Pan	Programmable Auto Scan
Pattern	8 Programmable Patterns (Total 480 seconds)
Sector	9 Selectable Sectors with 16 characters
Privacy Zone	8
Auto Flip	ON / OFF
OSD menu	Yes
Video	
Compression Format	H.264, MPEG-4, MJPEG
Number of Streams	Dual Stream, Configurable
Resolution	D1, CIF, QCIF
Compression FPS	25/30 fps @D1
Deinterlacing	Support (DSP)
Motion Detection	Support (DSP)
Burnt-in Text (Digital)	Support (DSP)
Output	1 Loop Out (BNC Connector)
Audio	
Input	1 channel
Output	1 channel
Compression Format	G.711

Function	
Digital Input	4 channel
Digital Output	2 channel
RS-485	Support
RS-232C	Not Available
Network	10 / 100 Base-T
Protocol	TCP/IP, UDP/IP, HTTP, RTSP, RTCP, RTP/UDP, RTP/TCP, SNMP, mDNS, UPnP, SMTP, SOCK, IGMP, DHCP, DDNS, SSL v2/v3, IEEE 802.1X, SSH
USB 2.0	Not Available
SD Memory Card Slot	Support (microSD type)
Electrical	
Power Source	18~32 VAC 60/50Hz 850mA (indoor) 18~32 VAC 60/50Hz 1.5A (outdoor)
Power over Ethernet	Not Available
Power Consumption (Approx)	18W Max (indoor) 36W Max (outdoor)
Environmental	
Fan / Heater	Fan and heater (outdoor)
Operating Temperature	-10 °C ~ 50 °C (14 °F ~ 122 °F) (indoor) -40°C ~ 50°C (-40 °F ~ 122 °F) (outdoor)
Certification	FCC / CE, IP66 (outdoor)
Operating Humidity	Up to 85% RH (Non-condensing)
Mechanical	
Material	Indoor
	ABS
Color	Outdoor
	Aluminum , Anti-vandal bubble (Poly Carbonate)
Color	Cool gray
Dimension	Housing: 147(Φ) x 190(H) mm / 5.8"(Φ) x 7.5"(H) (indoor) Housing: 190(Φ) x 307(H) mm (outdoor)
Weight (Approx)	1.9kg (5lbs) (indoor) 5.7 kg (outdoor)
Video Content Analysis (Included as Standard)	
High Performance	Advanced Tracking Algorithm, Low False Alarm Rate
Easy to Use	Intuitive Web Browser Interface
Detection Zones	Multi-segment Polygons and Lines
On-screen Display	Real-time Display of Tracking Data and Events
Auto Tracking	Automatic Tracking of Objects
Video Content Analysis (Option)	
Detection Behavior	Direction, Stopping, Loitering, Entering, Exiting, Appear, and Disappear Filters
3D Behavior	Perspective Corrected Size and Speed Filters
Statistics	Counting Functions and Other Statistics
Meta Data	Binary XML Format
Image Stabilization (Option)	
Electronic Stabilization	Removes Camera Sway

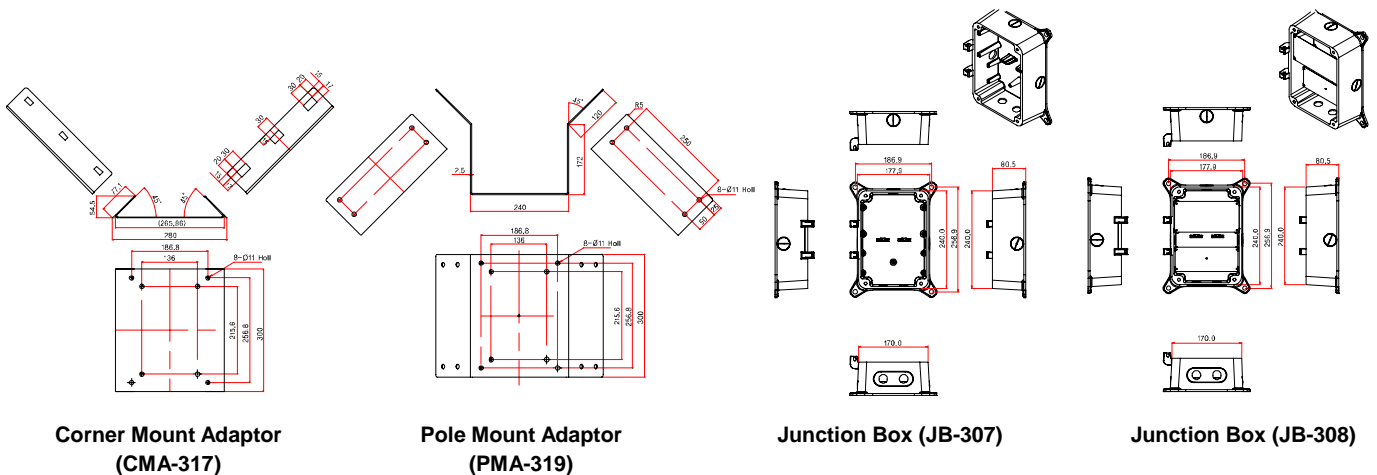
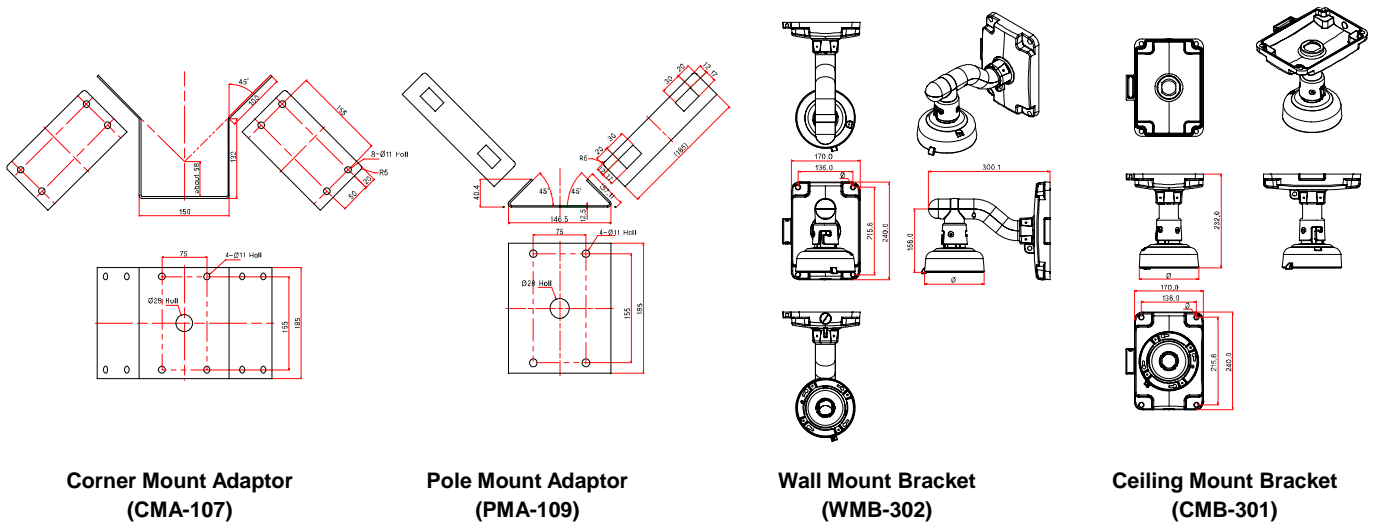
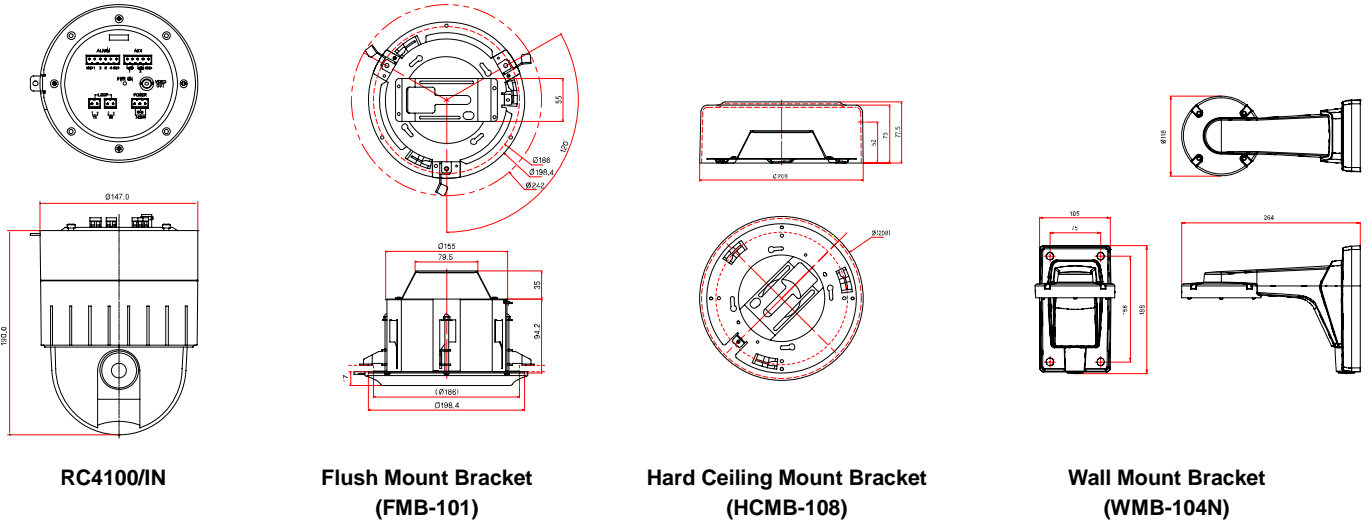
RC4100-2212-36

Ordering information

Option Model	Camera Module	Day & night	WDR	PoE	USB	SD	VCAfollow (Auto Tracking)
RC4100-2212-36/I	Sony 36X Optical Zoom	ICR	O	X	X	O	O
RC4100-2212-36/O	Sony 36X Optical Zoom	ICR	O	X	X	O	O

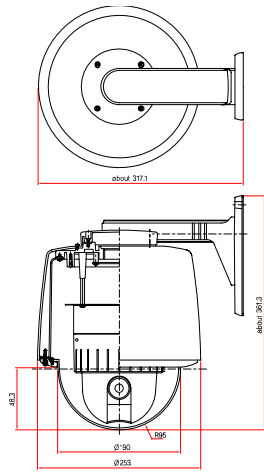
* RC4100/OUT = RC4100 + ODH-103N

RC4100 Dimension & Accessories – Indoor Version

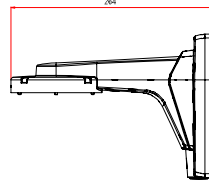
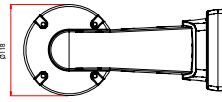
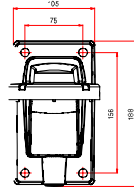
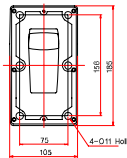


RC4100-2212-36

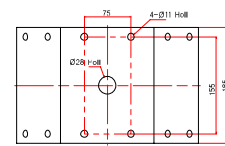
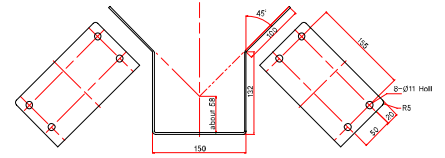
RC4100 with Outdoor Kit Dimension & Accessories



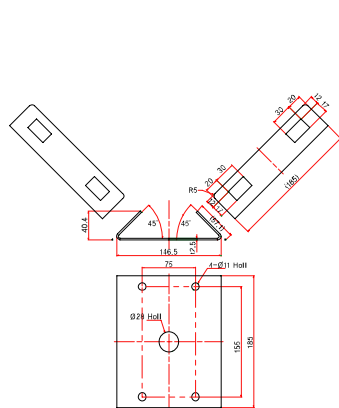
RC4100/OUT



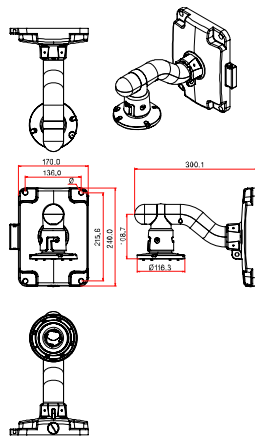
Wall Mount Bracket (WMB-104N)



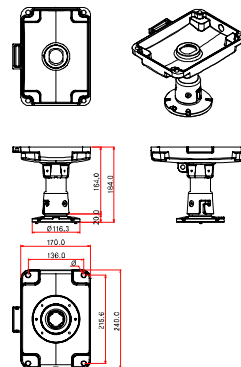
Corner Mount Adaptor (CMA-107)



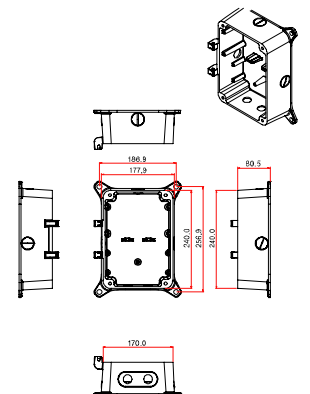
Pole Mount Adaptor (PMA-109)



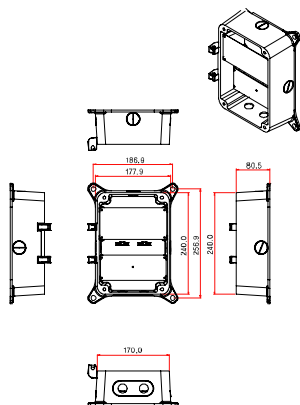
Wall Mount Bracket (WMB-305)



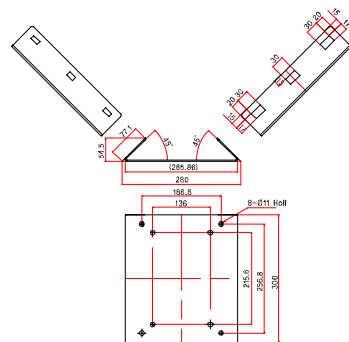
Ceiling Mount Bracket (CMB-304)



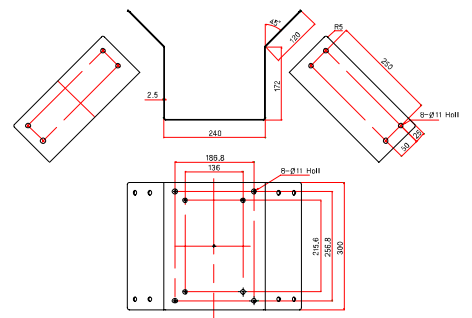
Junction Box (JB-307)



Junction Box (JB-308)



Corner Mount Adaptor (CMA-317)



Pole Mount Adaptor (PMA-319)