

RC 3302 HD – RC 3702 HD

H.264 Full HD Repositionable Indoor/ Outdoor Dome IP Camera

- Full HD1080p @ 30fps
- Remote Controllable Pan and Tilt Repositioning
- Remote Zoom/Focus Control (One Click AF)
- Video Compression: H.264, MJPEG
- True Day/Night and WDR
- Video Dual Stream, Two-way Audio with G.711
- MicroSD/SDHC Memory Card Slot
- **ONVIF** Support, PoE (IEEE 802.3af)
- Embedded VCA Technology Video Analytics
- RC3702HD - Vandal Proof IK-10 / IP66 Protection Ration

RC3302HD



RC3702HD



Specifications

CAMERA	
Model	RC3302HD-5344: Indoor, remote pan/tilt/zoom RC3702HD-5314-NH: Indoor, remote pan/tilt/zoom *** RC3702HD-5314: Outdoor, remote pan/tilt/zoom
Image Sensor	1/2.7" 1080p CMOS
Effective Pixels	1920 x 1080
Scanning System	Progressive scanning
AGC Control	Auto
Minimum Illumination	Color: 0.5 lux, F1.2 - B/W : 0.001Lux (DSS ON)
Lens /-5311 Model	3.0 – 9.0mm Vari-Focal, F1.2-360, DC Auto Iris Motorized Focus & Zoom Control – One Click Focus Function
Lens Angle of View	Wide approx: 93.0°(H) x 68.4°(V) Tele approx: 31.7°(H) x 23.8°(V)
Shutter Time	1/2000s to 1/2s
Day & Night Switching	Auto/Manual (both switching level adjustable 1 ~ 64) IR Cut Filter removal
Image Settings	Configurable brightness, contrast, saturation, sharpness Flip & mirror function
2D-DNR	Configurable digital noise reduction 1 ~ 16
Wide Dynamic Range	Digital WDR**
Exposure Adjustment	+1.0, +0.6, +0.3, 0, -0.3, -0.6, -1.0 EV
White Balance	ATW1 / ATW2 / Push / Manual
Flicker Control	Normal, 50Hz, 60Hz
DSS (Sens-up)	Configurable levels 2X ~ 16X
Backlight Compensation	BLC On/Off (possible to designate zone)
VIDEO	
Video Compression	H.264 Baseline, Main, High profile (MPEG-4 Part 10/ AVC), MJPEG (Motion JPEG)
Video Streaming	Dual Stream, Configurable streams in H.264, MJPEG H.264: Controllable frame rate and image resolution, bandwidth(VBR/CBR) MJPEG: Controllable frame rate and image resolution, JPEG quality
Resolutions	1920x1080, 1280x720, 800x450, 480x270, 320x180
Frame Rate	H.264: Configurable up to max 30fps in all resolution* MJPEG: Configurable up to max 30fps in all resolution*
Motion Detection	Max. 8 zones with independent configuration of detection sensitivity and target object size
Burnt-in Text	Time / Date / Name (Name up to 48 characters), flexible display position configuration
Analogue Video	NTSC/PAL (3 minutes, only for installation)

NETWORK	
Ethernet Standard	10 / 100 Base-T
Protocol	QoS Layer 3 DiffServ, TCP/IP, UDP/IP, HTTP, RTSP, RTCP, RTP/UDP, RTP/TCP, mDNS, UPnP™, SMTP, DHCP, DNS, DynDNS, NTP, SNMPv1/v2c/v3(MIB-II), IGMP, ICMP, SSLv2/v3, TLSv1
Users Connection	Live viewing for up to 10 clients
Security	Multi-level access with password protection
GENERAL	
I/O Terminal	1x Alarm In - max 50mA@5VDC, TTL 1x Alarm Out - max 50mA@24VDC, TTL
Edge Storage	1x MicroSD/MicroSDHC card slot (card not included) (Recommend Class 4 and higher for HD recording)
Application Programming Interface	Software Development Kit (SDK) available ONVIF compliant (release V1.4.0.x or higher)
Approvals	RC3302HD: FCC, CE, KC, RoHS RC3702HD: FCC, CE, KC, IP66, IK-10, RoHS
REPOSITIONING	
Pan / Tilt Speed	Max. 7°/sec.
Pan / Tilt Range	Pan range: 0° to 355° - Tilt range: 0° to 80°
Repositioning Preset	16 named presets (pre-stored position) Recall of presets via internal timer function
Pan / Tilt Lifespan	Approx. 5,000 counts each
ELECTRICAL	
Power Source	DC 12V / AC 24V / PoE (IEEE 802.3af)
Power Consumption (Approx)	RC3302HD-5344: 8,64W @ DC 12V RC3702HD-5344-NH: TBD RC3702HD-5344: 18W @ DC 12V (Heater on)
ENVIROMENT	
Fan / Heater	RC3702HD-5344: Fan / Heater Unit
Operation Temperature	RC3302HD-5344 / RC3702HD-5344-NH: DC 12V / AC 24V / PoE : 0°C ~ 50°C (32°F ~ 122°F) RC3702HD-5344: DC 12V / AC 24V : -20°C ~ 50°C (-4°F ~ 122°F) PoE : 0°C ~ 50°C (32°F ~ 122°F) Cold Start DC 12V / AC 24V : -20°C (-4°F) / PoE: 0 °C (32°F)
Operating Humidity	Up to 85% RH, Non-condensing
MECHANICAL	
Material	RC3302HD/ RC3702HD: Aluminum Die Casting RC3702HD: Anti-vandal bubble (PC)

RC 3302 HD – RC 3702 HD

	purpose)
AUDIO	
Audio input / output	Line-In: 1.43Vp-p, 39 KΩ Line-Out: 46mW Power, 16 Ω
Compression Format	G.711-uLaw
VIDEO CONTENT ANALYSIS (Included as Standard)	
High Performance	Advanced tracking algorithm and low false alarm rate
Easy to Use	Intuitive web browser interface
Detection Zones and Rules	Up to 40 zones (multi-segment polygons and lines) 60 VCA filter rules in total
On-screen Display	Real-time display of tracking data and events
Tamper Detection	Recognize camera tampering via VCA detection
Event Actions	Notification service via TCP/IP, HTTP, multicast or email text messages with snapshot, DO-contact, file upload on FTP server, local SD memory card recording**
ACCESSORIES	
RC3302HD Mounting Adapter	FMB-3302 - Flush Mount Bracket
RC3702HD Mounting Adapter	FMB-3702 - Flush Mount Bracket WMB-3000S – Wall Mount Bracket Sunshield CMB-3000S – Ceiling Mount Bracket Sunshield PMA-3000 – Pole Mount Adapter CMA-3000 – Corner Mount Adapter

MECHANICAL	
Dimension	RC3302HD: Housing: 165 (Φ) x 135 (H) mm RC3702HD: Housing: 155 (Φ) x 130 (H) mm, Dome: 100(Φ) mm
Weight (Approx)	RC3302HD: 1.2kg (2.64 lbs) RC3702HD: 1.6kg (3.52lbs)
VIDEO CONTENT ANALYSIS (Option extension License)	
Available License	VCAcountIP, VCAaccessIP, VCAsurveillanceIP, VCAadvancedIP
VCA Detection Filters	Enter, Exit, Appear, Disappear, Stop, Direction, Dwell, Speed, Tailgating, Object Classification,
VCA Features	- Up to 20 Onscreen Counter Displays, Counting-Line for accuracy people and vehicle counting, - VCA Event Metadata Streaming (RTSP/RTP), - VCA calibration for right object size detection
Info VCA	Details regarding supported VCA filters and features of the different extension licenses find on 'Filter Matrix VCA License' document

* When VCA is activate, frame rate is limit to max15fps@1080p. Limitations are based on V.1.5.0 firmware release and could be changed without notice.

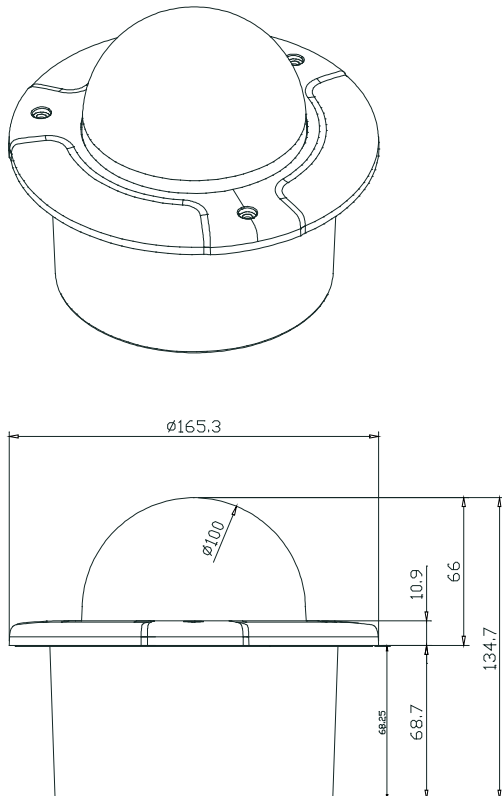
** Function support with V1.5.0 release.

*** RC3702HD-5314-NH without Fan/ Heater unit

Dimension:

(Unit: mm)

Indoor - RC3302HD



Indoor/Outdoor - RC3702HD

