

# RC 302 HD-5117



... more than standard

## H.264 Full HD Indoor Ultra Compact IP Dome Camera

- Full HD1080p @ 30fps
- Video Compression: H.264, MJPEG
- Digital Day/Night and WDR
- Video Dual Stream
- MicroSD/SDHC Memory Card Slot
- ONVIF Support, Comprehensive SDK Support
- Embedded VCA Technology Video Analytics
- Burnt-in Text, Video Motion Detection
- Power over Ethernet (IEEE 802.3af)
- Vandal Proof IK-09



### Specifications

CAMERA	
Image Sensor	1/2.7" 1080p CMOS
Effective Pixels	1920 x 1080
Scanning System	Progressive scanning
AGC Control	Auto, adjustable amplification factor**
Minimum Illumination	Color: 1.0 lux, F2.0 - B/W : 0.001Lux (DSS ON)
Lens	2.8mm, fixed Iris, F2.0
Lens Angle of View	Horizontal: Approx. 110° Vertical: Approx. 81.5°
Shutter Time	1/2000s to 1/2s
Day & Night Switching	Digital software related Day & Night switching
Image Settings	Configurable brightness, contrast, saturation, sharpness Flip & mirror function
2D-DNR	Configurable digital noise reduction 1 ~ 16
Wide Dynamic Range	Digital WDR**
Exposure Adjustment	+1.0, +0.6, +0.3, 0, -0.3, -0.6, -1.0 EV
White Balance	ATW1 / ATW2 / Push / Manual
Flicker Control	Normal, 50Hz, 60Hz
DSS (Sens-up)	Configurable digital slow shutter 2X ~ 16X
Backlight Compensation	BLC On/Off (possible to designate zone)
VIDEO	
Video Compression	H.264 Baseline, Main, High profile (MPEG-4 Part 10/ AVC), MJPEG (Motion JPEG)
Video Streaming	Dual Stream, Configurable streams in H.264, MJPEG <b>H.264:</b> Controllable frame rate and image resolution, bandwidth(VBR/CBR) <b>MJPEG:</b> Controllable frame rate and image resolution, JPEG quality
Resolutions	1920x1080, 1280x720, 800x450, 480x270, 320x180
Frame Rate	H.264: Configurable up to max 30fps in all resolution* MJPEG: Configurable up to max 30fps in all resolution*
Motion Detection	Max. 8 zones with independent configuration of detection sensitivity and target object size
Burnt-in Text	Time / Date / Name (Name up to 48 characters), flexible display position configuration
Privacy Mask Zones	4 flexible configurable regions**

NETWORK	
Ethernet Standard	10 / 100 Base-T
Protocol	QoS Layer 3 DiffServ, TCP/IP, UDP/IP, HTTP, RTSP, RTCP, RTP/UDP, RTP/TCP, mDNS, UPnP™, SMTP, DHCP, DNS, DynDNS, NTP, SNMPv1/v2c/v3(MIB-II), IGMP, ICMP, SSLv2/v3, TLSv1
Users Connection	Live viewing for up to 10 clients
Security	Multi-level access with password protection

GENERAL	
Edge Storage	1x Micro SD/SDHC card slot (card not included) (Recommend Class 4 and higher for HD recording)
Application Programming Interface	Software Development Kit (SDK) available ONVIF compliant (release V1.4.0.x or higher)
Approvals	FCC, CE, KC, IK-09, RoHS

ELECTRICAL	
Power Source	PoE (IEEE 802.3af)
Power Consumption (Approx)	7W @ PoE

ENVIRONMENT	
Operation Temperature	PoE : 0°C ~ 40°C (32°F ~ 104°F)
Operating Humidity	Up to 85% RH, Non-condensing

MECHANICAL	
Material	Aluminum Die-Casting, Anti-vandal bubble (PC)
Color	White
Dimension	Housing: 105( Φ ) x 56(H) mm, Dome: 55( Φ ) mm
Weight (Approx)	270g

\* When VCA is activate, frame rate is limit to max15fps@1080p. Limitations are based on V.1.5.0 firmware release and could be changed without notice.

\*\* Function support in V1.5.0 firmware.

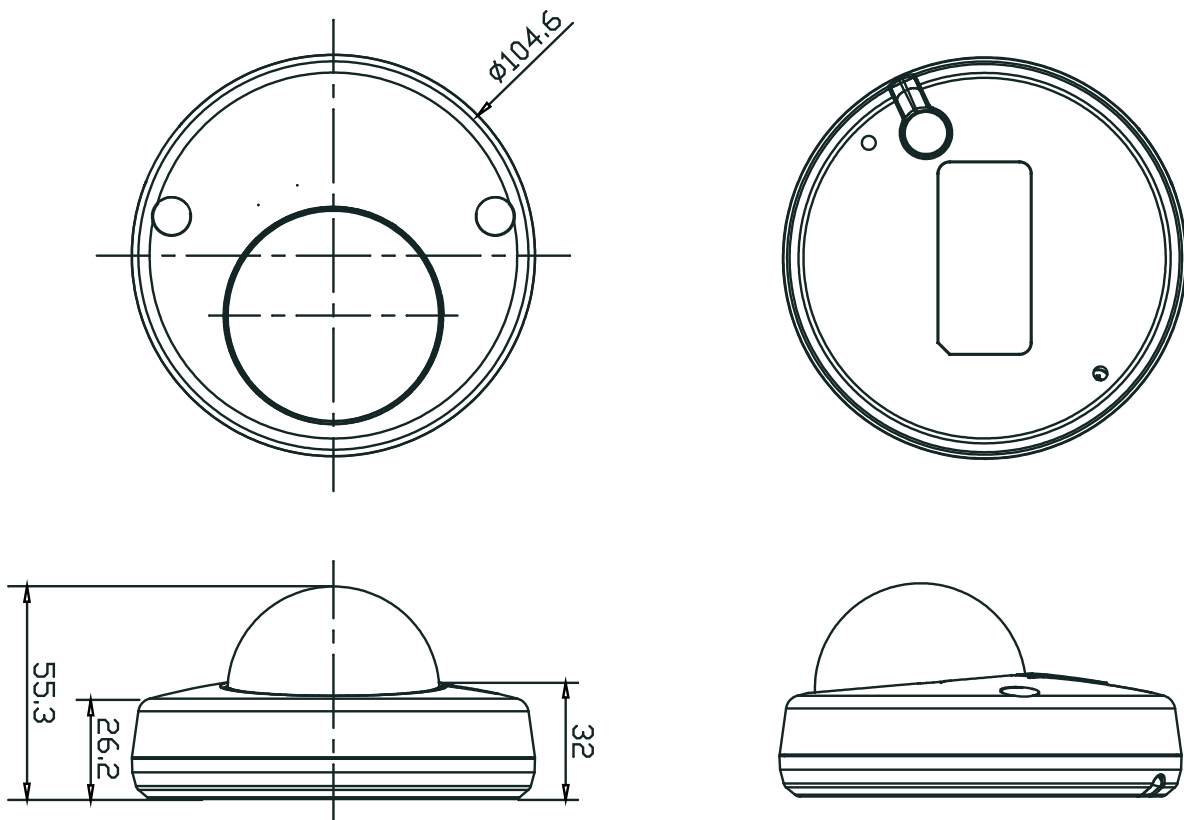
Please Note: Datasheet Primarily Version

VIDEO CONTENT ANALYSIS (Included as Standard)	
<b>High Performance</b>	Advanced tracking algorithm and low false alarm rate
<b>Easy to Use</b>	Intuitive web browser interface
<b>Detection Zones and Rules</b>	Up to 40 zones (multi-segment polygons and lines), 60 VCA filter rules in total
<b>On-screen Display</b>	Real-time display of tracking data and events
<b>Tamper Detection</b>	Recognize camera tampering via VCA detection
<b>Event Actions</b>	Notification service via TCP/IP, HTTP, multicast or email text messages with snapshot, DO-contact, file upload on FTP server, local SD memory card recording**

VIDEO CONTENT ANALYSIS (Option extension License)	
<b>Available License</b>	VCAcountIP, VCAaccessIP, VCAsurveillanceIP, VCAadvancedIP
<b>VCA Detection Filters</b>	Enter, Exit, Appear, Disappear, Stop, Direction, Dwell, Speed, Tailgating, Object Classification,
<b>VCA Features</b>	- Up to 20 Onscreen Counter Displays, - VCA Event Metadata Streaming (RTSP/RTP), - VCA calibration for right object size detection
<b>Info VCA</b>	Details regarding supported VCA filters and features of the different extension licenses find on 'Filter Matrix VCA License' document

Dimension

(Unit: mm)



Please Note: Datasheet Primarily Version