

H. 264 3MP 360° Indoor Panomproh IP Camera

- 3 Megapixel 14 fps
- Wide angle view (182° x 360°)
- Compatible with all major VMS certified ImmerVision Enables
- Certified Immervision Enables panomorph lens
- e-PTZ supported
- Video Compression: H.264, MJPEG
- MicroSD/SDHC Memory Card Slot
- ONVIF Support, PoE (IEEE 802.3af)
- Embedded VCA Technology Video Analytics
- Burnt-in Text, Video Motion Detection



Specifications

CAMERA	
Image Sensor	1/2.5" 5Megapixel CMOS
Effective Pixels	2048 x 1536
Scanning System	Progressive scanning
AGC Control	Auto, adjustable amplification level
Minimum Illumination	Color: 1.0 Lux, B/W : 0.001Lux (DSS ON)
Lens	1.12mm F2.0 Certified ImmerVision Enables Panomorph Lens
Angle of View	Horizontal: Approx. 182°, Vertical: Approx.182°
Shutter Time	1/10000s to 1/2s
Shutter Exposure Modes	Automatic - with configurable min. shutter speed Manual - with configurable fixed shutter speed Flicker-Control - 50/60Hz
Day & Night	Digital software related Day & Night switching
Image Settings	Configurable brightness, contrast, saturation, sharpness, vertical flip & horizontal mirror function
2D-DNR	Configurable digital noise reduction 1 ~ 16
Wide Dynamic Range	Digital WDR
Exposure Adjustment	+1.0, +0.6, +0.3, 0, -0.3, -0.6, -1.0 EV
White Balance	ATW1 / ATW2 / Push / Manual
DSS (Sens-up)	Configurable digital slow shutter 2X ~ 16X
Backlight Compensation	BLC On/Off (possible to designate zone)
VIDEO	
Video Compression	H.264 Baseline, Main, High profile (MPEG-4 Part 10/ AVC), MJPEG (Motion JPEG)
Video Streaming	[4:3 Mode] – Full Circle Image Single Stream and Snapshot H.264: Controllable frame rate, bandwidth (VBR/CBR) MJPEG(Snapshot): Controllable frame rate, JPEG quality [16:9 Mode] – Cropped Image Dual Stream, Configurable streams in H.264, MJPEG H.264: Controllable frame rate, bandwidth (VBR/CBR) MJPEG: Controllable frame rate, JPEG quality
Resolutions	[4:3 Mode] 2048x1536, 1600x1200, 1280x960, 1024x768, 800x600, 640x480, 320x240 [16:9 Mode] 1920 x 1080, 1280 x 720, 1120 x 630, 960 x 540, 800 x 450, 640 x 360, 480 x 270, 320 x 180

VIDEO	
Frame Rate	[4:3 Mode] H.264: Max 14fps in all resolution MJPEG: Max 14fps in all resolution [16:9 Mode] H.264: Max 30fps in all resolution MJPEG: Max 30fps in all resolution
Motion Detection	Max. 8 zones with independent configuration of detection sensitivity and target object size
Burnt-in Text	Time / Date / Name (Name up to 48 characters), flexible display position
Privacy Mask Zones	4 flexible configurable regions
AUDIO	
Input /Output	Line-In 0.178Vp-p, 10KΩ Line-Out: 2.26Vp-p, 10KΩ
Two-way Audio	Supported
Compres. Format	G.711
NETWORK	
Ethernet Standard	10 / 100 Base-T
Protocol	QoS Layer 3 DiffServ, TCP/IP, UDP/IP, HTTP, RTSP, RTCP, RTP/UDP, RTP/TCP, mDNS, UPnP™, SMTP, DHCP, DNS, DynDNS, NTP, SNMPv1/v2c/v3(MIB-II), IGMP, ICMP, SSLv2/v3, TLSv1
Users Connection	Live viewing for up to 10 clients
Security	Multi-level access with password protection, IP Address filtering, HTTPS (SSL)
PTZ (UNWARPING MODE)	
Digital Zoom	Supported
e-PTZ	Supported
GENERAL	
I/O Terminal	1x Alarm In - max 50mA@5VDC, TTL 1x Alarm Out - max 50mA@24VDC, TTL
Application Programming Interface	Software Development Kit (SDK) available ONVIF compliant (release V1.4.0.x or higher)
ONVIF	Version: 2.04 (Support Profile S, Profile G)
Approvals	FCC, CE, KC, RoHs
EDGE STORAGE	
Edge Storage	1x Mirco SD/SDHC card slot (card not included) (Recommend Class 6 and higher for HD recording)
Recording Types	Continuous Recording or Event Recording Mode
Search Functions	Search via Event Logs and Event Type, Time range setting,

RC2103HD - 6611

MECHANICAL	
Material	Polycarbonate
Color	White
Dimension	144(Ø), 58(H)mm
Weight (Approx)	360g (0.79 lbs)
VIDEO CONTENT ANALYSIS (Included as a Standard)	
High Performance	Advanced tracking algorithm and low false alarm rate
Easy to Use	Intuitive web browser interface
Detection Zones and Rules	Up to 40 zones (multi-segment polygons and lines) 60 VCA filter rules in total
On-screen Display	Real-time display of tracking data and events via activeX plug-in in IE browser
Burnt in Annotation	Allows the VCA annotation to be burnt into the raw video stream for displaying on third party application
Tamper Detection	Recognize camera tampering via VCA detection (defocusing, lens covering, camera moving)
Event Actions	Notification service via TCP/IP, HTTP, multicast or email text messages with snapshot, DO-contact, file upload on external FTP server, local SD memory card recording

* If VCA is activate, frame rate is limit to max15fps@1080p. Limitations are based on V.1.8.0 firmware release and could be changed without notice

ELECTRICAL	
Power Source	12V DC / PoE (IEEE 802.3af)
Consumption	3.6W @ DC 12V
ENVIROMENT	
Operation Temperature	DC12V/PoE: 0°C ~ 50°C (32°F ~ 122°F)
Operating Humidity	Up to 85% RH, Non-condensing
VIDEO CONTENT ANALYSIS (Option extension License)	
Available License	VCAdetectIP, VCAcountIP, VCAsurveillancelP, VCAadvancedIP, VCAprofessional
VCA Detection Filters	Enter, Exit, Appear, Disappear, Stop, Direction, Dwell, Speed, Tailgating, Object Classification, Complex Rules, Color Filter,
VCA Features	<ul style="list-style-type: none"> - Up to 20 Onscreen Counter Displays - Counting-Line for accuracy people and vehicle counting with local database and reporting service - VCA Event Metadata Streaming (RTSP/RTP) - VCA calibration via 3D tools for right object size detection - Object classification allow to design different Object classes to include or exclude in VCA detection rule - Extended standard rules to allow various combinations of the inputs via Complex Rules - 10 colors in total to distinguish objects by color - People tracking mode to tracks individuals separately among overlapped multiple people
Info VCA	Details regarding supported VCA filters and features of the different extension licenses find on 'Filter Matrix VCA License' document

Unwarping Solution

Ceiling Mount

Single View



Quad View



Panoramic View



Wall Mount

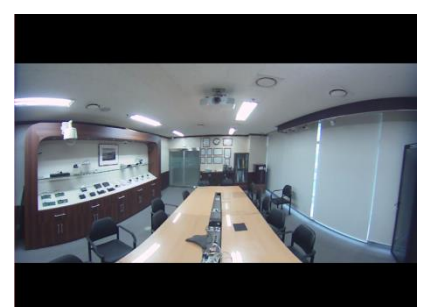
Single View



Quad View



Panoramic View

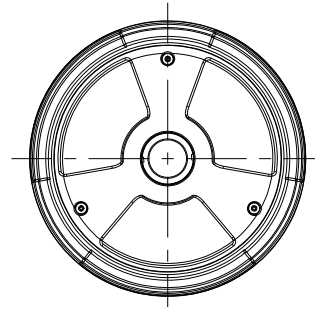
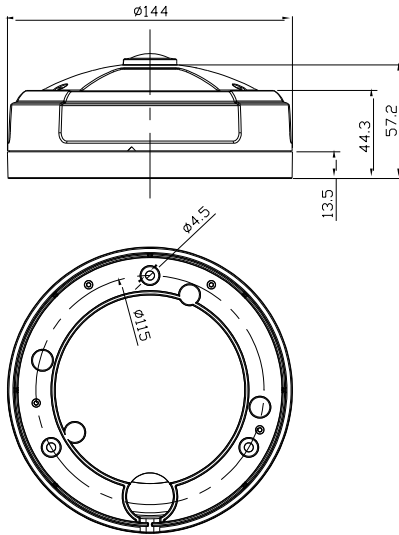


RC2103HD - 6611

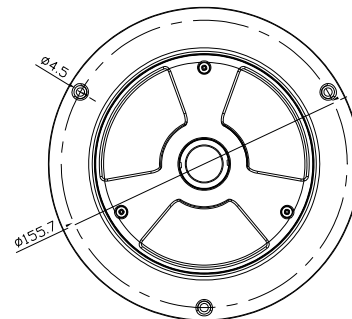
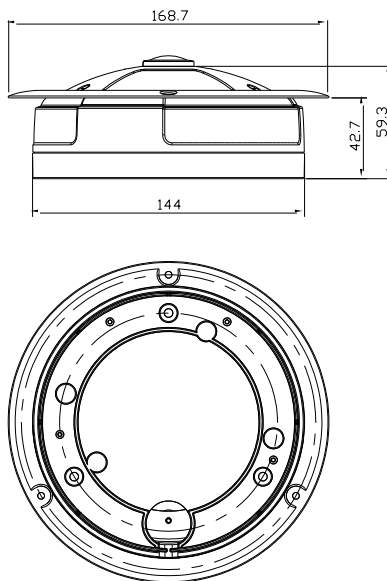
Dimensions

(unit: mm)

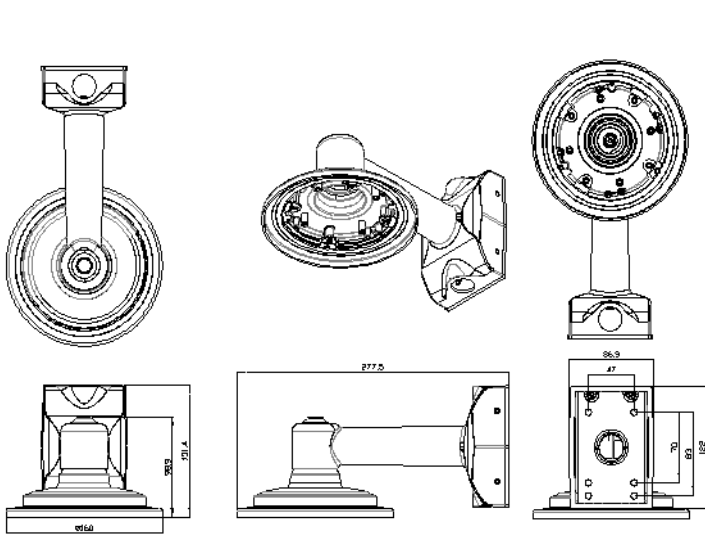
Semi-Flush Mount



Flush Mount



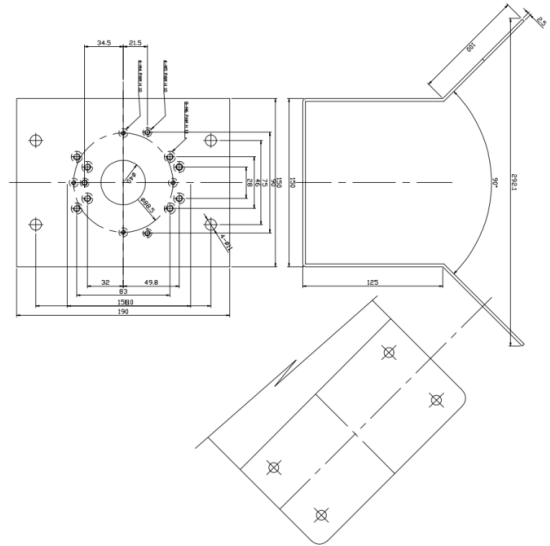
Accessories



Wall Mount Bracket

Model: WMB-3000

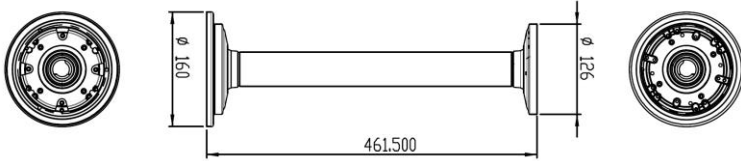
Weight: 1kg



Corner Mount Adapter

Model: CMA-3000

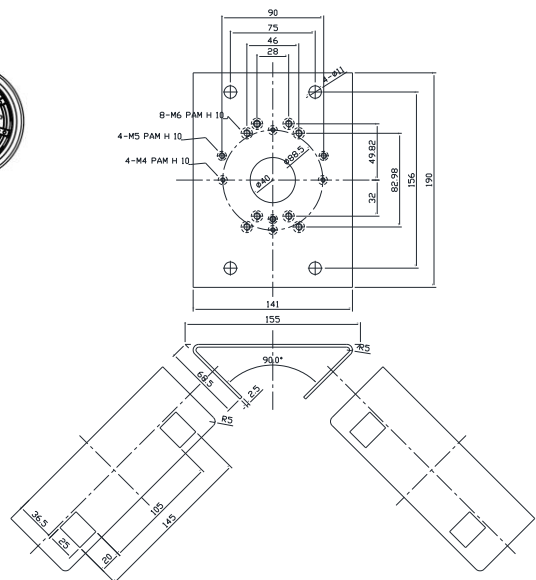
Weight: 2.3kg



Ceiling Mount Bracket

Model: CMB-3000

Weight: 1.1kg



Pole Mount Adaptor

Model: PMBA3000

Weight: 930g