

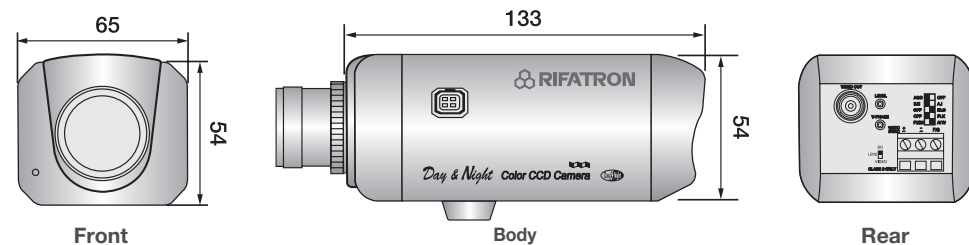
# Bodied Camera

## BX-84DN | BX-74DN | BX-84 | BX-74

- Indoor
- 1/3" Sony Super HAD CCD
- AWB(Automatic White Balance)
- C/CS Mount Lens adaptable without additional adaptor
- DC 12V/AC 24V Dual power [Non-polarity]



### Dimension (unit:mm)



	Model	BX-84DN		BX-74DN		BX-84		BX-74	
		NTSC	PAL	NTSC	PAL	NTSC	PAL	NTSC	PAL
Signal Mode		NTSC	PAL	NTSC	PAL	NTSC	PAL	NTSC	PAL
Image Device		1/3" Sony Super HAD CCD		1/3" Sony Super HAD CCD		1/3" Sony Super HAD CCD		1/3" Sony Super HAD CCD	
Lens		C/CS Mountable (Not included)		C/CS Mountable (Not included)		C/CS Mountable (Not included)		C/CS Mountable (Not included)	
Total Pixel No.		410K	470K	270K	320K	410K	470K	270K	320K
Effective Pixel No.		768(H) X 494(V)	752(H) X 582(V)	510(H) X 492(V)	500(H) X 582(V)	768(H) X 494(V)	752(H) X 582(V)	510(H) X 492(V)	500(H) X 582(V)
Horizontal Resolution		540 TV Lines		380 TV Lines		540 TV Lines		380 TV Lines	
Min. Illumination		0.05 Lux [F1.2]		0.05 Lux [F1.2]		0.05 Lux [F1.2]		0.05 Lux [F1.2]	
Scanning System		525 Lines, 2:1 Interlace	625 Lines, 2:1 Interlace	525 Lines, 2:1 Interlace	625 Lines, 2:1 Interlace	525 Lines, 2:1 Interlace	625 Lines, 2:1 Interlace	525 Lines, 2:1 Interlace	625 Lines, 2:1 Interlace
Scanning Frequency		[H]15.734KHz [V]59.94Hz	[H]15.625KHz [V]50Hz	[H]15.734KHz [V]59.94Hz	[H]15.625KHz [V]50Hz	[H]15.734KHz [V]59.94Hz	[H]15.625KHz [V]50Hz	[H]15.734KHz [V]59.94Hz	[H]15.625KHz [V]50Hz
Sync. System		Internal [DC12V]/L.L.[External/AC24V]: Auto Switching		Internal [DC12V]/L.L.[External/AC24V]: Auto Switching		Internal [DC12V]		Internal [DC12V]	
S/N Ratio		More than 48dB (AGC off)		More than 48dB (AGC off)		More than 48dB (AGC off)		More than 48dB (AGC off)	
Video Output Signal		VBS 1.0Vp-p Composite, 75Ω		VBS 1.0Vp-p Composite, 75Ω		VBS 1.0Vp-p Composite, 75Ω		VBS 1.0Vp-p Composite, 75Ω	
Elec. Shutter Speed		1/60-100,000	1/50-100,000	1/60-100,000	1/50-100,000	1/60-100,000	1/50-100,000	1/60-100,000	1/50-100,000
Day & Night(Auto ICR)		Filter Changeable Day & Night		Filter Changeable Day & Night		N/A		N/A	
Auto Gain Control		On/Off		On/Off		On/Off		On/Off	
Iris Shutter Control		A.I./E.E		A.I./E.E		A.I./E.E		A.I./E.E	
Back Light Compensation		On/Off		On/Off		On/Off		On/Off	
Flickerless		On/Off		On/Off		On/Off		On/Off	
White Balance		Push/ATW		Push/ATW		Push/ATW		Push/ATW	
Gamma		0.45		0.45		0.45		0.45	
Power Source		DC 12V/AC24V Dual power [Non-polarity]		DC 12V/AC24V Dual power [Non-polarity]		DC12V		DC12V	
Power Consumption		DC12V: 450mA / AC24V: 8W		DC12V: 450mA / AC24V: 8W		DC12V 300mA		DC12V 300mA	
Operating Temperature		14°F-122°F (-10°C-50°C)		14°F-122°F (-10°C-50°C)		14°F-122°F (-10°C-50°C)		14°F-122°F (-10°C-50°C)	
Operating Humidity		Up to 90% RH		Up to 90% RH		Up to 90% RH		Up to 90% RH	
Storage Temperature		-22°F-140°F (-30°C-60°C)		-22°F-140°F (-30°C-60°C)		-22°F-140°F (-30°C-60°C)		-22°F-140°F (-30°C-60°C)	
Material		Aluminium		Aluminium		Aluminium		Aluminium	
Color		Ivory		Ivory		Ivory		Ivory	
Weight		300g		300g		300g		300g	
Dimension(mm)		65(W) X 54(H) X 133(D)		65(W) X 54(H) X 133(D)		65(W) X 54(H) X 133(D)		65(W) X 54(H) X 133(D)	
Certification		CE, FCC, RoHS compliance		CE, FCC, RoHS compliance		CE, FCC, RoHS compliance		CE, FCC, RoHS compliance	

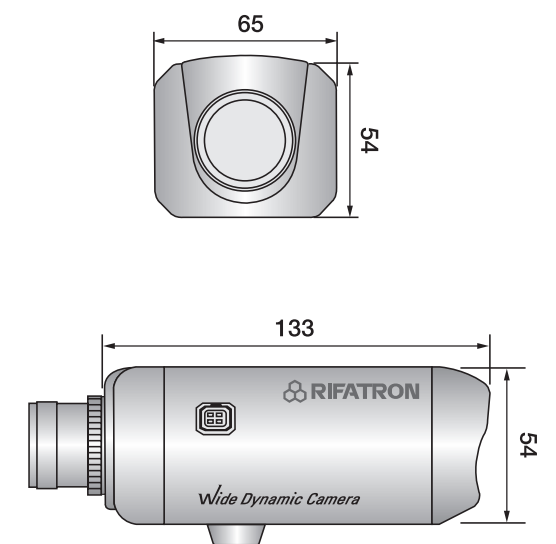
# Wide Dynamic Range Camera

## WD-84B

- Superior Images in strong back light conditions
- 1/3" Digital Pixel System Technology
- WDR(Wide Dynamic Range) : 95dB[14bit], 120dB Max.
- Digital Signal Process
- Automatic 5 level Exposure Control for each Pixel
- Good smearless even in the presence of strong Light
- On screen menu and camera ID
- DC12V / AC24V Dual power [Non-polarity]



### Dimension (unit:mm)



	Model	WD-84B
Signal Mode		NTSC / PAL selectable
Image Device		Pixim 1/3" D2500R
Operation		Indoor
Signal Process		Digital Signal Process
DSS(Digital Slow Shutter)		Digital Slow Shutter
Lens		C/CS Mountable (Not included)
Total Pixel No.		742(H) X 554(V)
Effective Pixel No.		720(H) X 540(V)
Resolution		540 TV Lines
Min. Illumination		0.6 Lux [F1.2]
Scanning System		Progressive Image Capture
Sync. System		Internal [DC12V]/L.L.[External/AC24V]: Auto Switching
S/N Ratio		More than 50dB (AGC off)
Video Output Signal		VBS 1.0Vp-p Composite, 75Ω
Elec. Shutter Speed		[NTSC]1/60-100,000, [PAL]1/50-100,000"
Day & Night(Auto ICR)		Day & Night, DSS
Video set up		TV system, SYNC, SYNC auto sense
Lens Selection		Lens type, DC gain, Video gain, AI thresh
Video Adjustment		White Balance, AGC, BLC, FLK, Gamma, Resolution, Sharpness, Saturation
WDR Set up		Auto, High, Low, Manual
Display Set up		Camera Title, Mirror, Low Light
Digital PTZ		Available
Freeze		Available
Motion Detection		Available
IP Rating		N/A
Power Source		DC12V/AC24V Dual Power [Non-Polarity]
Power Consumption		DC12V: 250mA / AC24V: 5W
Operating Temperature		14°F-122°F (-10°C-50°C)
Operating Humidity		Up to 90% RH
Storage Temperature		-22°F-140°F (-30°C-60°C)
Material		Aluminium
Color		Ivory
Weight		300g
Dimension(mm)		65(W) X 54(H) X 133(D)
Certification		CE, FCC, RoHS compliance

