

Synthesized Intelligent PIR

# SIP-3020/5 SIP-4010/5 SIP-404/5



The SIP-3020/5, SIP-4010/5 and SIP-404/5 are designed for detection applications outdoors to trigger video transmission systems and PTZ camera control.

These detectors have an intelligent detection system that uses data from the ambient environment, such as temperature and illuminance conditions, to automatically adjust the sensitivity. They are also equipped with anti-rotation and anti-masking functions, which can detect vandalism or tampering with the unit.

Units in this series have an additional PIR detector on the bottom to cover the area just below the unit. The PIR detector on the bottom has independent output separate from the main detection.

For video surveillance applications, the detection area should be within the camera's field of view in order to ensure that an intruder who triggers the alarm is seen. The detection angle in the main area of the SIP-3020/5, SIP-4010/5 and SIP-404/5 can be adjusted to easily match the camera field of view. And, the creep zone detector can be used for detection below and around the unit.

## FEATURES

- Intelligent PIR Detection System
  - Detection of ambient temperature and illuminance for automatic sensitivity management
  - Advanced detection algorithm
  - Three dual pyro-elements with patented Double Conductive Shielding for main area
- Built-in creep zone detector (Double dual pyro-elements)
- Anti-vandalism functions
  - Anti-rotation function with 3-axis accelerometer
  - Anti-masking function with photo-beam
  - Reinforced polycarbonate housing
  - Max. 4m (13ft.) installation height
- Independent sensitivity selector for creep/near/far areas
- Detection logic selector
- Detection range selector
- Independent N.C. and N.O. outputs
- Adjustable alarm interval time
- BS8418 Compliant - U.K.

## OPTIONS

- AVF-1 Area View Finder
- SIP-HU Heating Unit (When the SIP-HU is used, the power for SIP series should be 22-26VAC.)
- OPM-WT Audio Walk Tester
- SIP-MINI HOOD Sun/Snow shield

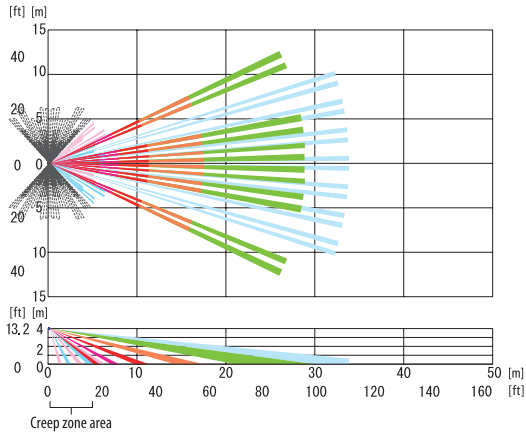
## SPECIFICATIONS

| Model                     | SIP-3020/5   | SIP-4010/5               | SIP-404/5               |
|---------------------------|--|--------------------------|-------------------------|
| Detection method          | Passive infrared   |                          |                         |
| Coverage (main area)      | 30 x 20 m (100 x 65 ft.)   | 40 x 10 m (130 x 33 ft.) | 40 x 4 m (130 x 13 ft.) |
| Coverage (creep zone)     | 3 x 5m (10 x 16ft.) installed at 2.3m (7.6ft.) height, 6 x 9m (20 x 30ft.) installed at 4m (13ft.) height, Detection angle adjustable horizontally |                          |                         |
| Power input               | 11-16VDC 22-26VAC, 22-26VAC with optional heating unit   |                          |                         |
| Current draw              | 40mA max. (12VDC) 75mA max. (24VAC), 415mA max. (24VAC) with optional heating unit   |                          |                         |
| Mounting height           | 2.3 to 4 m (7.6 to 13 ft.)   |                          |                         |
| Sensitivity selector      | Far: SH/H/M/L Near: SH/H/M/L Creep zone: SH/H/M/L  |                          |                         |
| Range selector            | Far area: On/Off<br>AND / OR   |                          |                         |
| Detection logic selector  | AND / OR   |                          |                         |
| Alarm output (main area)  | N.O., N.C. 28VDC 0.2A max.   |                          |                         |
| Alarm output (creep zone) | N.O., N.C. 28VDC 0.2A max.   |                          |                         |
| Alarm interval period     | Off/15, 30, 60 sec.  |                          |                         |
| Trouble output            | N.C., 28 VDC 0.2 A max.  |                          |                         |
| Tamper output             | N.C., 28 VDC 0.1 A max.  |                          |                         |
| Alarm period              | Approx. 2 sec.   |                          |                         |
| Warm-up period            | Approx. 60 sec.  |                          |                         |
| Operating temperature     | -25 to +60°C , -40 to +60°C with optional heating unit (-13 to +140°F, -40 to +140°F with optional heating unit)                                   |                          |                         |
| IP rating                 | Main unit:IP65<br>Chassis:IP55   |                          |                         |
| Dimensions (H x W x D)    | 248 x 102 x 266mm (9.8 x 4.0 x 10.5 in.)   |                          |                         |
| Weight                    | 1.4kg (48 oz)  |                          |                         |

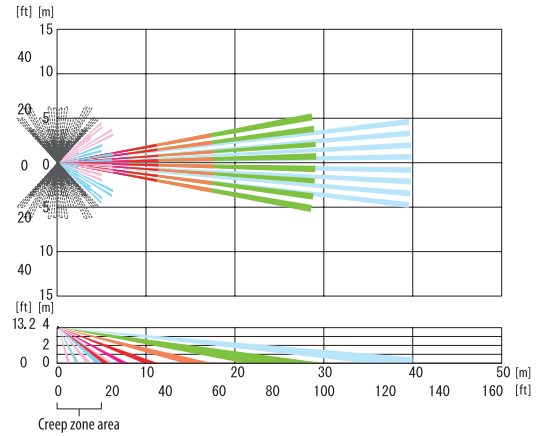
\* Specifications and design are subject to change without prior notice.

## DETECTION AREAS

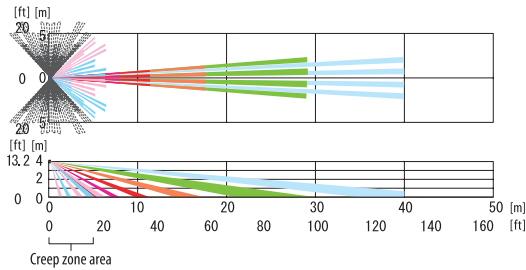
### SIP-3020/5



### SIP-4010/5

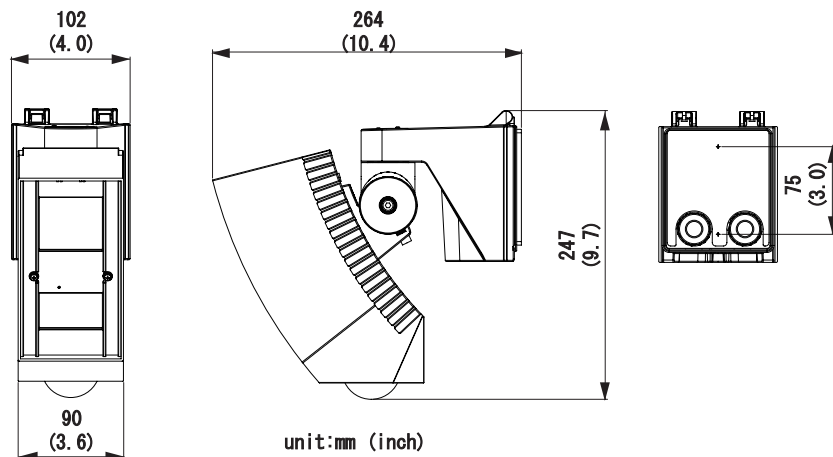


### SIP-404/5



The detection angle of the creep zone can be adjusted  $\pm 135^\circ$  horizontally as shown in gray.

## DIMENSIONS



**OPTEX CO., LTD.**  
(JAPAN)  
(ISO 9001 Certified)  
(ISO 14001 Certified)  
5-8-12 Ogoto  
Otsu, Shiga, 520-0101  
Japan  
Tel : +81-77-579-8030  
Fax : +81-77-579-7190  
URL : <http://www.optex.co.jp/e>

**OPTEX INCORPORATED**  
(USA)  
13661 Benson Ave.  
Bldg. C. Chino CA 91710  
U.S.A.  
Tel : +1-909-993-5770  
Fax : +1-909-628-5560  
URL : <http://www.optexamerica.com>

**OPTEX (EUROPE) LTD.**  
(UK)  
(ISO 9001 Certified)  
Clivemont Road, Maidenhead,  
Berkshire, SL6 7BU  
UK  
Tel : +44-1628-631000  
Fax : +44-1628-636311  
URL : <http://www.optexeuropa.com>

**OPTEX SECURITY SAS**  
(FRANCE)  
475 Rue Monique et Mario Piani  
69480 Ambérieux d'Azergues  
France  
Tel : +33 437 55 50 50  
Fax : +33 437 55 50 59  
URL : <http://www.optex-security.com>

**OPTEX SECURITY Sp.z o.o.**  
(POLAND)  
ul. Bitwy Warszawskiej 1920 r.  
7B, 02-366 Warszawa,  
Poland  
Tel : +48-22-598-06-60  
Fax : +48-22-598-06-61