



**Redvision**

# RV ILLUMINATORS



## **RZ800/50/830/EW**

**Redvision Illuminator; Extra wide infra-red lamp with 50m night vision.**

The Redvision Infra Red LED Illuminators provide long life night time illumination for CCTV Cameras. Constructed from heavy duty aluminium extrusion and weatherproofed to IP 66 ensures the Redvision Illuminators can cope with extreme environmental conditions.

An inbuilt photocell enables the unit runs at maximum efficiency by only switching on the illuminator at low light levels. The Redvision Illuminators are designed to accommodate a single point 6mm fixing direct to the under carriage of industry standard camera housings.

### **Key Features**

- Infra red illumination up to 50 metres
- 55 degrees beam angle
- Long life LED technology
- Rugged aluminium construction
- Inbuilt Photocell
- Wall mount bracket option

Redvision CCTV Ltd, 17 Highview, High Street, Bordon, Hampshire, GU35 0AX, UK

T +44(0)1420 448448 E [info@redvisioncctv.com](mailto:info@redvisioncctv.com) [www.redvisioncctv.com](http://www.redvisioncctv.com)



## Specification

**Redvision Illuminator; Extra wide infra-red lamp with 50m night vision.**

### IR Illumination

IR Wavelength	830nm (other wavelengths to special order).
Range	Up to 50 metres -55 degrees beam angle.
Photocell	Inbuilt dusk/dawn automatic switching.

### Environmental and Physical

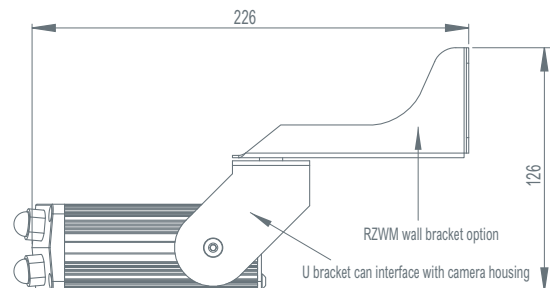
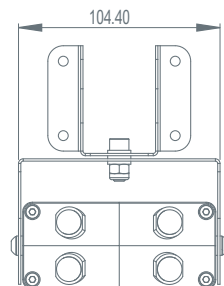
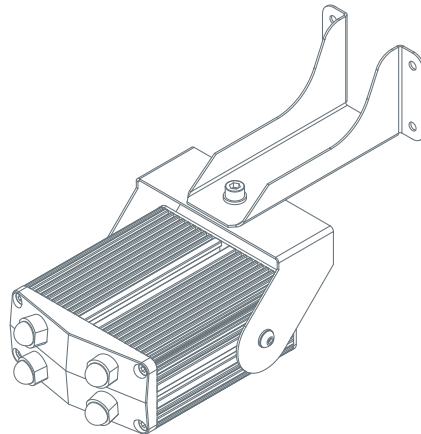
Material	Powder coat aluminium extrusion.
Environment	-35°C to +50°C. IP66.

### Electrical connections

Power	12V dc at 1.2A.
Cabling	Supplied pre-wired with 2m cable length.

### Mounting Options

Camera Housing	U bracket supplied as standard.
Wall Mounting	RZWM wall bracket option.



Dimensions in mm