

rayMAX 50

INFRA-RED PRODUCT RANGE

The RAYMAX series of High Performance Infra-Red LED illuminators provide class leading performance, long life and ultra low maintenance. They incorporate the very latest surface mount LED's to deliver excellent night-time pictures with improved optical output and outstanding reliability.

The unique Adaptive Illumination™ concept provides the flexibility to alter the angle of illumination on site to suit specific security needs and to match the camera's field of view. RAYMAX illuminators are also purpose designed to provide even output illumination.

Each unit is fitted with a Cool Running™ thermal management system to carefully control LED output and delivers a projected working life of 10 years.

RAYMAX illuminators are supplied with bracket and power supply. Control features on the power supply include adjustable power output, photocell and telemetry control. RAYMAX 50 is suitable for all low light installations up to 75 metres (246ft).

RAYMAX 50 is also available with low voltage PSU.

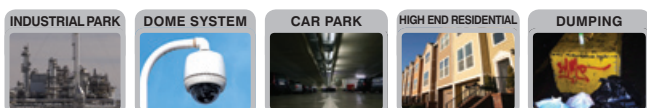
ADAPTIVE ILLUMINATION™



Narrow Angle

Wide Angle

APPLICATIONS



POWERFUL

- Distances up to 75m (246ft)
- Latest LED technology
- High power - low running costs

FLEXIBLE

- Adaptive Illumination™
- Various angles (10° to 180°)
- Fully Controllable Power Supply
- Optional Low Voltage PSU

RELIABLE

- 10 year life
- Cool Running™ thermal management system
- Vandal resistant

CONTROLLED

- Zero Light Pollution
- Even Output Illumination
- Semi-Covert (850nm) or Covert (950nm) Options

rayTEC®

www.rayteccctv.com



ADAPTIVE ILLUMINATION™

Adaptive Illumination™ allows the installer to adjust the angle of the light projection from a single unit to fit the specific demands of any installation. Adjustment is quick and convenient and any angle upto 180 degrees (depending on model) is easily selectable. Adaptive Illumination is patent pending technology available exclusively from Raytec.



COOL RUNNING™ Thermal Management System

Cutting edge materials science techniques have been employed to improve thermal efficiency throughout the unit. Cool Running™ is specifically designed to allow all Raytec LED products to provide exceptionally long life - up to 10 years.



SMT (Surface Mount Technology)

The future of lighting is surface mount LED technology. Compared to standard through hole LED's, surface mount LED's are a more robust solution increasing reliability and improving product life. They are also far more efficient at the dissipation of heat allowing the LED's to run at higher power and achieve significantly improved performance.



VANDAL RESISTANT

The polycarbonate lens design protects against severe blows from crowbars, baseball bats and can even withstand successive shots from air pistols and rifles (range dependant).



ENERGY SAVING


All Raytec illuminators use high efficiency LED's and advanced control methods to deliver extremely low electrical consumption. Raytec illuminators are energy saving and deliver huge savings in running costs compared to traditional bulb illuminators.



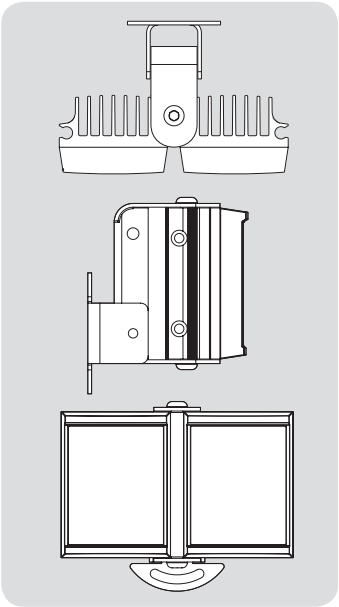
HIGH DEFINITION LIGHTING

High Definition Lighting allows cameras to provide crystal clear, high signal images during the hours of darkness. The breakthrough in HD lighting is made possible with Raytec's high power LED technology delivering increased power on scene.

5 YEAR WARRANTY
 All Raytec CCTV illuminators are provided with a 5 year warranty, unmatched anywhere in the CCTV lighting industry. Raytec illuminators provide guaranteed long life!



TECHNICAL SPECIFICATIONS



ILLUMINATOR
Max Distance: up to 75m (246ft)
Angle: Various - See Part Codes
Optics: SMT LED's
Consumption: 20W max
Voltage: 13.5V current controlled
Weight: 1.7kg
Environmental: IP66
Temp Range: -50 to +50°C (-58 to 122°F)
Cable Length: 2.5m
Colour: Black
Wavelength: 850 or 950nm
Dimensions: 160 x 115 x 54mm
 6" x 4" x 2" approx

BRACKETRY
 U Bracket and Adaptive Illumination bracket included.

POWER SUPPLY
Input: Universal 100-240V AC auto-sensing
Output: 20W max
Temperature: -50 to +50°C (-58 to 122°F)
Weight: 0.9Kg
Dimensions: 160mm x 120mm x 80mm
 6" x 5" x 3" approx

Standard PSU (included)
 Adjustable photocell
 Adjustable power output for IR
 Telemetry Control

Premium PSU (add ~PR to part code)
 All standard PSU features PLUS:
 Photocell following contact for switching of dual mode cameras
 12V dc output to power cameras

Pulsed PSU (add ~PU to part code)
 To pulse Raytec lights in sync with cameras.
 Power Adjustment
 Video In and Video Out connections to sync light and camera.
 12V dc output to power cameras

PART CODES & DISTANCES			NARROW ANGLE	WIDE ANGLE
RM50-AI-10	RAYMAX 50, 10-20°	AI, 850nm + PSU	75m (246ft)	50m (164ft)
RM50-AI-30	RAYMAX 50, 30-60°	AI, 850nm + PSU	40m (131ft)	26m (87ft)
RM50-AI-50	RAYMAX 50, 50-100°	AI, 850nm + PSU	28m (92ft)	18m (61ft)
RM50-AI-120	RAYMAX 50, 120-180°	AI, 850nm + PSU	16m (52ft)	11m (35ft)
RM50-AI-10-C	RAYMAX 50, 10-20°	AI, 950nm + PSU	Contact Raytec	
RM50-AI-30-C	RAYMAX 50, 30-60°	AI, 950nm + PSU	Contact Raytec	
RM50-AI-50-C	RAYMAX 50, 50-100°	AI, 950nm + PSU	Contact Raytec	
RM50-AI-120-C	RAYMAX 50, 120-180°	AI, 950nm + PSU	Contact Raytec	