

rayMAX 200 FUSION

Adaptive Illumination™

LOW VOLTAGE INFRA-RED

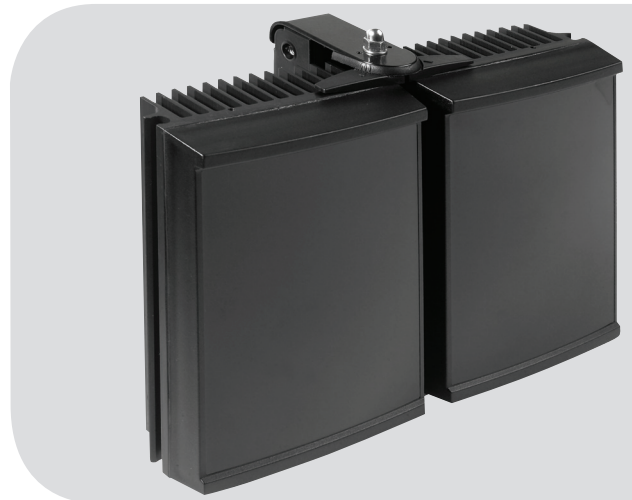
FUSION Adaptive Illumination™ (AI) is a range of high performance Infra-Red illuminators designed specifically for low voltage installations. The illuminators provide class leading performance, long life and ultra low maintenance. They incorporate Raytec's latest surface mount PLATINUM LED's to deliver excellent night-time pictures with improved optical output and outstanding reliability.

The unique Adaptive Illumination™ concept provides the flexibility to alter the angle of illumination on site to suit specific security needs and to match the camera's field of view. FUSION AI illuminators are also purpose designed to provide even output illumination.

The FUSION AI series has integrated Command and Control™ circuitry. Installation is quick and easy, requiring only a 12-24V DC /24V AC input with no need for a specialist PSU.

Each unit is fitted with Active LED Life Control to carefully control LED output, delivering consistent illumination power and a projected working life of 10 years.

FUSION AI illuminators are supplied complete with bracket. Control features on the FUSION AI include adjustable power output, photocell and photocell adjust. Raymax 200 FUSION AI is suitable for all low light installations up to 300 metres (985ft)



POWERFUL

- Distances up to 300m (985ft)
- **PLATINUM** LED technology
- High power - low running costs

FLEXIBLE

- Adaptive Illumination™
- Various angles (10° to 180°)
- 12-24V DC /24V AC input
- Command and Control technology™

RELIABLE

- 10 year life
- Active LED life control
- Vandal Resistant

CONTROLLED

- Zero Light Pollution
- Even Output Illumination
- Semi-Covert or Covert Options

COMMAND AND CONTROL TECHNOLOGY™



Photo-cell adjust

Photocell

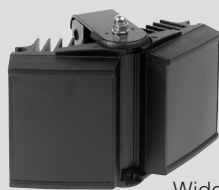
Power adjust

12/24V AC/DC input

ADAPTIVE ILLUMINATION™:



Narrow Angle



Wide Angle

Version 10.9.1

APPLICATIONS



rayTEC®



ADAPTIVE ILLUMINATION™

Adaptive Illumination™ allows the installer to adjust the angle of the light projection from a single unit to fit the specific demands of any installation. Adjustment is quick and convenient and any angle up to 180 degrees (depending on model) is easily selectable. Adaptive Illumination is patent pending technology available exclusively from Raytec.



PLATINUM ADVANCED SMT LED TECHNOLOGY

PLATINUM illuminators integrate cutting-edge SMT LED technology, light intensification miniature optics (LIMO) and an enhanced Cool Running™ thermal management system into a single ultra high performance LED. The result is World leading power, reliability and flexibility.



ACTIVE LED LIFE CONTROL

All Raytec illuminators employ cutting edge materials science techniques to improve thermal efficiency throughout the unit and ensure continuity of LED power. The New Advanced Cool Running™ system draws heat away from the LEDs, shielding the LED from abnormal stress, and allows Raytec LED products to deliver outstanding performance and consistency of illumination throughout the operational life of the illuminator.



COMMAND AND CONTROL TECHNOLOGY

Integrated into all Fusion Illuminators, Command and Control technology provides photocell, photocell level adjustment and power adjustment functionality on the actual illuminator. This eliminates the need for a specialist external power supply.



VANDAL RESISTANT

The polycarbonate lens design protects against severe blows from crowbars, baseball bats and can even withstand successive shots from air pistols and rifles (range dependant).



ENERGY SAVING

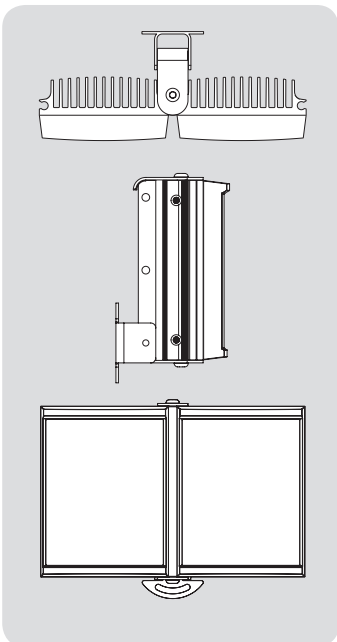
All Raytec illuminators use high efficiency LED's and advanced control methods to deliver extremely low electrical consumption. Raytec illuminators are energy saving and deliver huge savings in running costs compared to traditional bulb illuminators.

5 YEAR WARRANTY

All Raytec CCTV illuminators are provided with a 5 year warranty, unmatched anywhere in the CCTV lighting industry. Raytec illuminators provide guaranteed long life!



TECHNICAL SPECIFICATIONS



ILLUMINATOR & INTEGRATED PSU

Max Distance: up to 300m (985ft)
Angle: Various - See Part Codes
Optics: SMT LED's
Consumption: 70W max
Input: 12-24V DC/24V AC input
Weight: 4kg (8.8lbs)
Environmental: IP66
Temp Range: -50 to +50°C (-58 to 122°F)
Cable Length: 2.5m
Colour: Black
Wavelength: 850 or 940nm
Dimensions: 280 x 195 x 66mm
 11" x 8" x 3" approx

BRACKETRY

U Bracket and Adaptive Illumination bracket included.

INTEGRATED COMMAND AND CONTROL TECHNOLOGY

- Inbuilt Photocell for automatic on/off operation
- Inbuilt Photocell level adjust
- Inbuilt power adjust from 10-100%
- Telemetry connection for remote operation

PART CODES & DISTANCES

RM200-F-AI-10	RAYMAX 200, 10-20°	AI, 850nm + 12/24V Input
RM200-F-AI-30	RAYMAX 200, 30-60°	AI, 850nm + 12/24V Input
RM200-F-AI-50	RAYMAX 200, 50-100°	AI, 850nm + 12/24V Input
RM200-F-AI-120	RAYMAX 200, 120-180°	AI, 850nm + 12/24V Input
RM200-F-AI-10-C	RAYMAX 200, 10-20°	AI, 940nm + 12/24V Input
RM200-F-AI-30-C	RAYMAX 200, 30-60°	AI, 940nm + 12/24V Input
RM200-F-AI-50-C	RAYMAX 200, 50-100°	AI, 940nm + 12/24V Input
RM200-F-AI-120-C	RAYMAX 200, 120-180°	AI, 940nm + 12/24V Input

NARROW ANGLE

WIDE ANGLE

300m (985ft)	200m (656ft)
160m (525ft)	106m (346ft)
112m (367ft)	74m (243ft)
64m (210ft)	42m (139ft)
	Contact Raytec
	Contact Raytec
	Contact Raytec
	Contact Raytec



Europe / Middle East: Tel: +44 (0) 1670 520055
 Americas (Toll Free): Tel: +1 888 505 8335

Email: sales@rayteccctv.com
 Email: ussales@rayteccctv.com
 Web: www.rayteccctv.com