

## S16E

### 16mm F1.4 – C-Mount

Compatible with 2/3", 1/2", 1/3" & 1/4" Cameras

**Focal Length:** 16mm

**Max. Relative Aperture:** 1:1.4

**Iris:** F1.4~Approx. F360  
With ND Spot Filter

**Angular Field of View:**  
2/3": 30.8° × 23.3°  
1/2": 22.6° × 17.1°  
1/3": 17.1° × 12.9°  
1/4": 12.9° × 9.6°

**Min. Object Distance (M.O.D.):** 0.2m (From Front Vertex)

**Optical Back Focal Distance:** 14.2mm (In Air)

**Operation:** Focus: Manual  
Iris: Auto (DC+8~16V: Fixed Voltage, Max. 40mA) Auto-Close System Speed Within 4 sec.

**Auto-Iris Accuracy:** With Input Video Signal 0.7Vp-p  
Within ±10% of Mean Value

**Auto-Iris Input Signal:** Composite Video Signal or Video Signal

**Input Impedance:** High Impedance

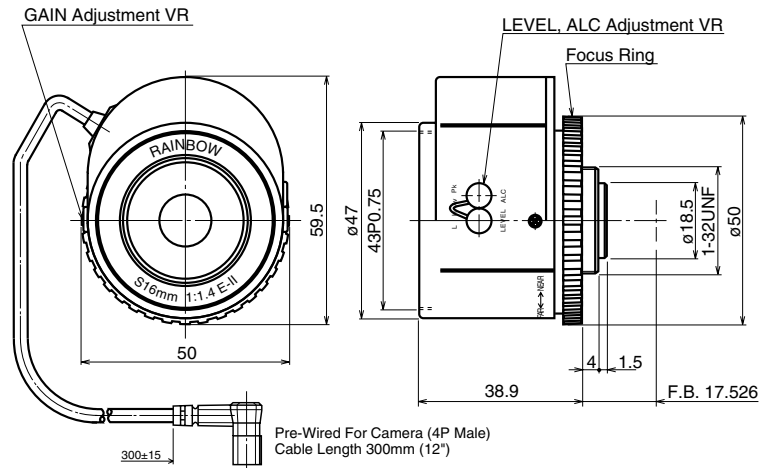
**Sensitivity Adjustment:** Image Signal Level 0.5~1.5Vp-p

**Operation Temperature:** -10 ~ +50°C (+14 ~ 122° F)

**Filter Size:** 43mm P0.75

**Mount:** CS-Mount, (Adjustable Lens Postion)

**Size, Approx. Weight:** 50 × 59.5 × 38.9mm (w/h/d), 75g  
(Approx. 2.0 × 2.3 × 1.4in., 2.7 oz.)



#### Camera Connector Wiring



Pin	Signal
1	+8-16VDC
2	N.C.
3	Video
4	Ground

VIDEO TYPE LENS

For cameras with standard wiring for Video type lenses (Rainbow, Panasonic, Sanyo, Sony, etc.)

Note: Some brands (incl. Everfocus, Javelin, Watec) use the same 4-pin connector with non-standard wiring. **To avoid camera damage, compare wiring instructions in camera box to this diagram.**