

L612VDC4P

6~12mm F1.4 – CS-Mount

Compatible with 1/3", & 1/4" Cameras

Focal Length: 6~12mm

Max. Relative Aperture: 1:1.4

Iris: F1.4~Approx. F88
With ND Spot Filter

Angular Field of View:
1/3": 43.6° × 33.4° at 6mm
22.6° × 17.1° at 12mm
1/4": 33.4° × 25.4° at 6mm
17.1° × 12.8° at 12mm

Min. Object Distance (M.O.D.): 0.25m (From Front Vertex)

Optical Back Focal Distance: 11.0mm (In Air)

Operation: Focus: Manual
Iris: IG (Auto-Close System)

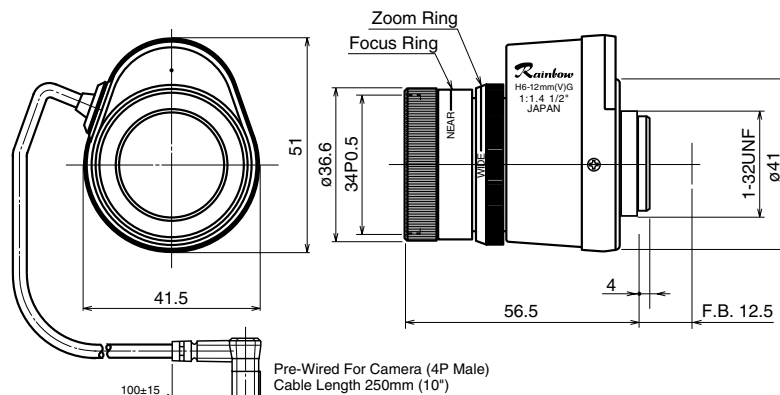
Operation Voltage: Close to Open: Less than 3V
Open to Close: More than 0.5V

Operation Temperature: -10 ~ +50°C (+14 ~ 122° F)

Filter Size (Front Thread): 34mm P0.5

Mount: CS-Mount
(Adjustable Lens Postion)

Size, Approx. Weight: 41.5 × 51 × 56.5mm (w/h/d), 70g
(Approx. 1.6 × 2.0 × 2.0in., 2.5oz.)



Camera Connector Wiring

Pin	Signal
1	Brake – *
2	Brake + *
3	Drive +
4	Drive –

* Also referred to as DAMP, CONTROL, or DUMP

L639VDC4P

6.5~39mm F1.4 – CS-Mount

Compatible with 1/3" & 1/4" Cameras

Focal Length: 6.5~39mm

Max. Relative Aperture: 1:1.4

Iris: F1.4~Approx. F360
With ND Spot Filter

Angular Field of View:
1/3": 40.5° × 31.0° at 6.5mm
7.0° × 5.3° at 39mm
1/4": 31.0° × 23.5° at 6.5mm
5.3° × 4.0° at 39mm

Min. Object Distance (M.O.D.): 0.8m (From Front Vertex)

Optical Back Focal Distance: 11.85mm (In Air)

Operation: Zoom: Manual
Focus: Manual
Iris: IG (Auto-Close System)

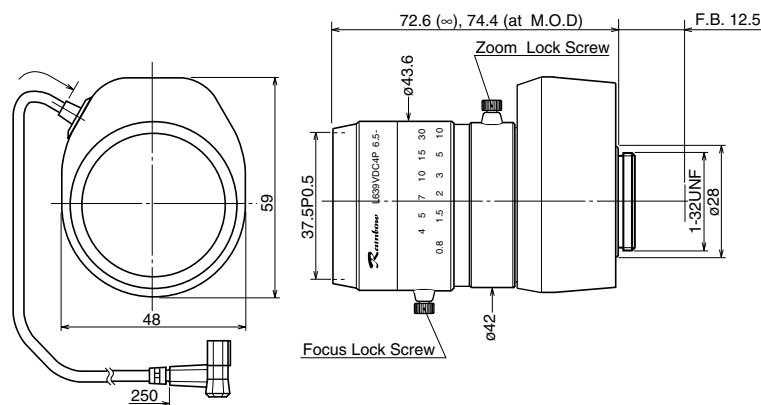
Operation Voltage: Close to Open: Less than 3V
Open to Close: More than 0.5V

Operation Temperature: -10 ~ +50°C (+14 ~ 122° F)

Filter Size: 37.5mm P0.5

Mount: CS-Mount
(Adjustable Lens Postion)

Size: 48 × 59 × 74.4mm (w/h/d) 130g
(Approx. 1.9 × 2.3 × 2.9in., 4.6oz.)



Camera Connector Wiring

Pin	Signal
1	Brake – *
2	Brake + *
3	Drive +
4	Drive –

* Also referred to as DAMP, CONTROL, or DUMP