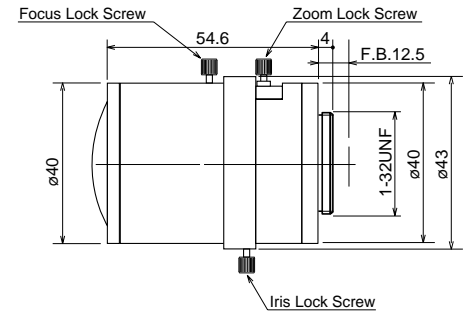


L212AVCS – (Manual Iris)

2.8~12mm F1.4 – CS-Mount

Compatible with 1/3" & 1/4" Cameras

Focal Length:	2.8~12mm	
Max. Relative Aperture:	1:1.4	
Iris:	F1.4~Close	
Angular Field of View:	1/3": 97.4° × 72.5° at 2.8mm 24.1° × 18.1° at 12mm 1/4": 68.2° × 51.5° at 2.8mm 18.1° × 12.8° at 12mm	
Min. Object Distance (M.O.D.):	0.3m (From Front Vertex)	
Optical Back Focal Distance:	8.6mm (In Air)	
Operation:	Zoom:	Manual
	Focus:	Manual
	Iris:	Manual
Operation Temperature:	-10 ~ +50°C (+14 ~ 122° F)	
Filter Size:	None	
Size, Approx. Weight:	ø43 × 54.6mm, 72g (Approx. ø1.7 × 2.2in., 2.5oz.)	

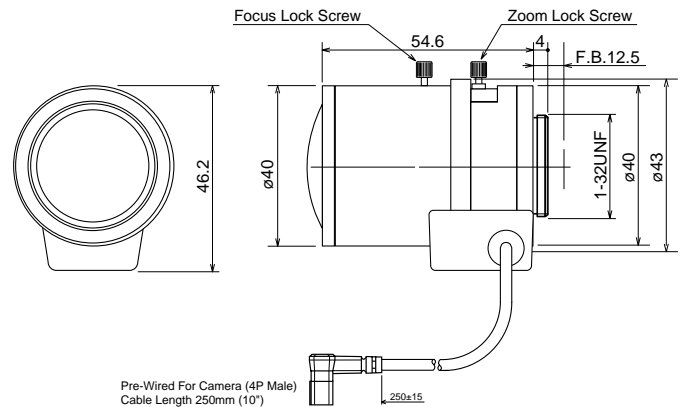


L212AVDC4P – (DC-type auto-iris with 4-pin)

2.8~12mm F1.4 – CS-Mount

Compatible with 1/3" & 1/4" Cameras

Focal Length:	2.8~12mm	
Max. Relative Aperture:	1:1.4	
Iris:	F1.4~Approx. F360 Built-in ND Spot Filter	
Angular Field of View:	1/3": 97.4° × 72.5° at 2.8mm 24.1° × 18.1° at 12mm 1/4": 68.2° × 51.5° at 2.8mm 18.1° × 12.8° at 12mm	
Min. Object Distance (M.O.D.):	0.3m (From Front Vertex)	
Optical Back Focal Distance:	8.6mm (In Air)	
Operation:	Zoom:	Manual
	Focus:	Manual
	Iris:	IG (Auto-Close System)
Operation Voltage:	Close to Open: Less than 3V Open to Close: More than 0.5V	
Operation Temperature:	-10 ~ +50°C (+14 ~ 122° F)	
Filter Size:	None	
Mount:	CS-Mount (Adjustable Lens Postion)	
Size, Approx. Weight:	40 × 46.2 × 54.6mm (w/h/d), 79g (Approx. 1.6 × 1.9 × 2.2in., 2.8oz.)	



Camera Connector Wiring

1 3	Pin	Signal
2 4	1	Brake – *
	2	Brake + *
	3	Drive +
	4	Drive –

* Also referred to as DAMP, CONTROL, or DUMP