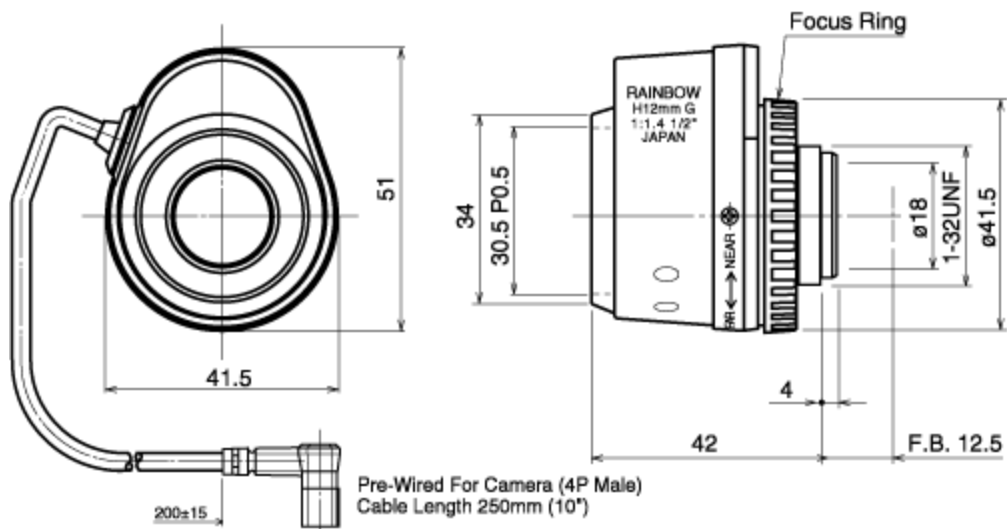


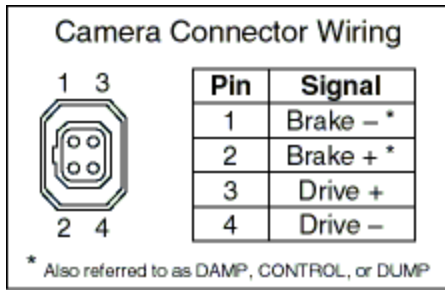
Fixed Focal Length

L12DC4P

1/2" 12mm DC type Auto-Iris with 4-pin, CS-mount
Compatible with 1/2", 1/3" & 1/4" Cameras

Focal Length:	12mm
Maximum Relative Aperture:	1:1.4
Iris:	F1.4-Equivalent to F88
Mount:	CS-mount (Adjustable Lens Position)
Minimum Object Distance:	0.2m (from front vertex)
Angular Field of View:	1/2" : 29.9° x 22.6° 1/3" : 22.6° x 17.1° 1/4" : 17.1° x 12.8°
Optical Back Focal Distance:	13.87mm (in air)
Operation:	Focus: Manual Iris: IG (Auto-Close System)
Operation Voltage:	Close-Open: 3V, Open-Close: > 0.5V
Operation Temp:	-10 ~ +50°C (+14 ~ 122°F)
Filter Size:	30.5mm P0.5
Weight:	Approx. 60g





[Click for larger image](#)