

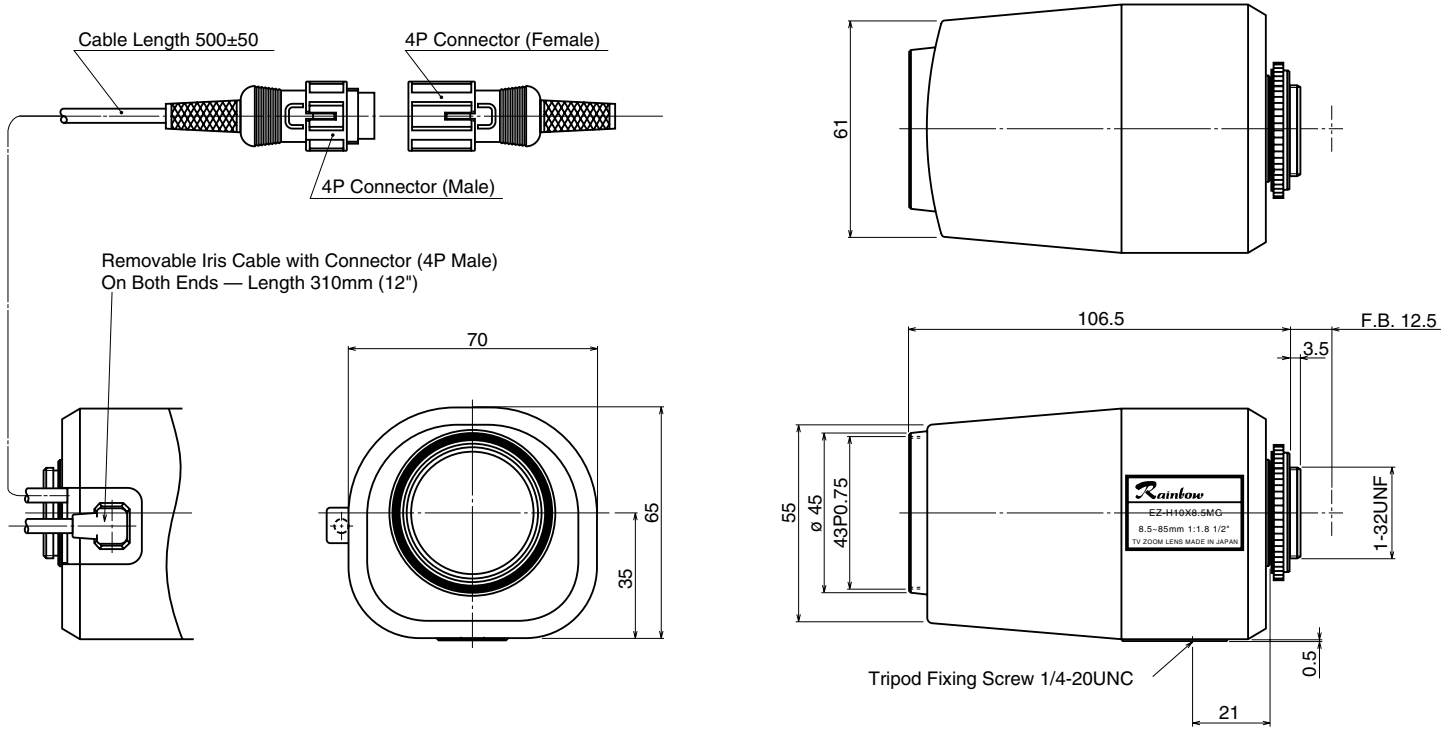
## L10X85DC4P

8.5~85mm F1.8 – CS-Mount

Compatible with 1/3", & 1/4" Cameras

<b>Focal Length:</b>	8.5~85mm
<b>Max. Relative Aperture:</b>	1:1.8
<b>Iris:</b>	F1.8~Approx. F360 With ND Spot Filter
<b>Zoom Ratio:</b>	10X
<b>Angular Field of View:</b>	1/3": 41.3° × 31.5° at 8.5mm 4.3° × 3.2° at 85mm 1/4": 23.9° × 18.0° at 8.5mm 2.4° × 1.8° at 85mm
<b>Min. Object Distance (M.O.D.):</b>	1.2m (From Front Vertex)
<b>Optical Back Focal Distance:</b>	15.56mm (In Air)

<b>Operation:</b>	<b>Zoom:</b>	Motorized (DC±6.4V~12V, Max 40mA) Speed Approx. 6.5 sec. (at 6.4V)
	<b>Focus:</b>	Motorized (DC±6.4V~12V, Max 40mA) Speed Approx. 6.5 sec. (at 6.4V)
	<b>Iris:</b>	IG (Auto-Close System) Close to Open: Less than 4V Open to Close: More than 0.1V Speed Within 4 sec.
	<b>Operation Temperature:</b>	-10 ~ +50°C (+14 ~ 122° F)
	<b>Filter Size:</b>	43mm P0.75
	<b>Mount:</b>	CS-mount (Adjustable Lens Postion)
	<b>Size, Approx. Weight:</b>	70 × 65 × 106.5mm (w/h/d), 280g (Approx. 2.8 × 2.6 × 4.2in., 9.9oz.)



### – Circuit Diagram –

