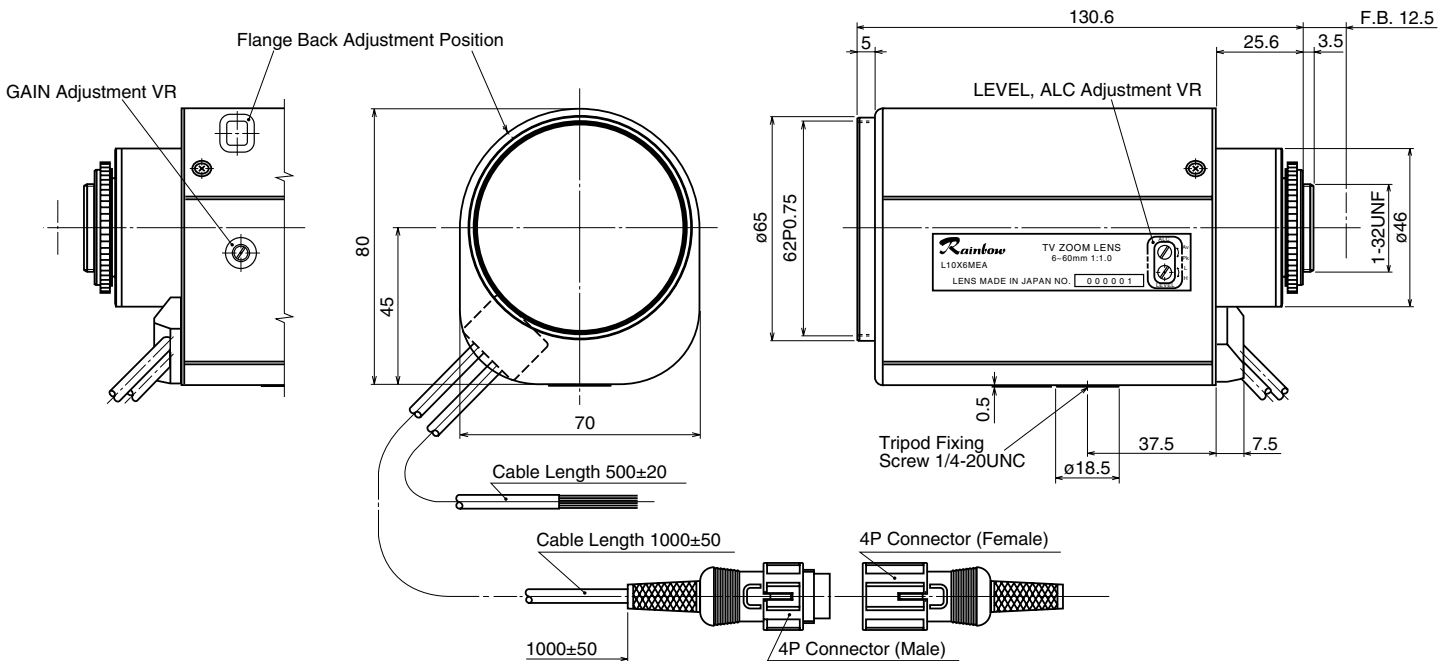


L10X6MEA/CS

6~60mm F1.0 – CS-Mount

Compatible with 1/3" Cameras

Focal Length:	6~60mm	Sensitivity Adjustment:	Image Signal Level 0.5~1.0Vp-p
Max. Relative Aperture:	1:1.0	Auto-Iris Accuracy:	With Input Video Signal 0.7Vp-p Within ±15% of Mean value
Iris:	F1.0~Approx. 1200 With ND Spot Filter	Operation:	Zoom: Motorized (DC±4V~12V, Max 40mA) Speed Approx. 6 sec. (at 6.4V)
Zoom Ratio:	10X	Focus:	Motorized (DC±4V~12V, Max 40mA) Speed Approx. 7 sec. (at 6.4V)
Angular Field of View:	1/3": 43.6° × 33.4° at 6mm 4.6° × 3.4° at 60mm	Iris:	Auto (DC+8~16V: Fixed Voltage, Max. 60mA) Speed Within 3.5 sec.
Min. Object Distance (M.O.D.):	1.2m (From Front Vertex)	Operation Temperature:	-10 ~ +50°C (+14 ~ 122° F)
Optical Back Focal Distance:	14.28mm (In Air)	Filter Size:	62mm P0.75
Auto-Iris Input Signal:	Composite Video Signal or Video Signal	Mount:	CS-mount (Adjustable Lens Postion)
Input Impedance:	High Impedance	Size, Approx. Weight:	70 × 80 × 130.6mm (w/h/d), 700g (Approx. 2.8 × 3.2 × 5.1in., 1.5 lb.)



– Circuit Diagram –

