

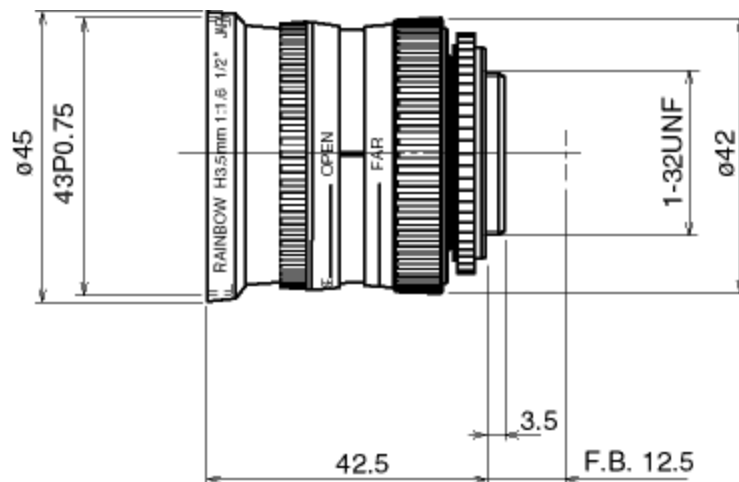
Fixed Focal Length

H35CSWI

1/2" 3.5mm Manual Iris, CS-mount

Compatible with 1/2", 1/3", & 1/4" Cameras

Focal Length:	3.5mm
Maximum Relative Aperture:	1:1.6
Iris:	F1.6-Close
Mount:	CS-mount
Minimum Object Distance:	0.1m (from front vertex)
Angular Field of View:	1/2" : 84.9° x 68.9° 1/3" : 68.9° x 54.4°
Optical Back Focal Distance:	11.45mm (in air)
Operation:	Focus: Manual Iris: Manual
Operation Temp:	-10 ~ +50°C (+14 ~ 122°F)
Filter Size:	43mm P0.75
Weight:	Approx. 90g (3.1oz)



Click for larger image