

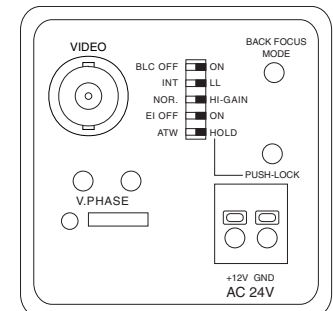
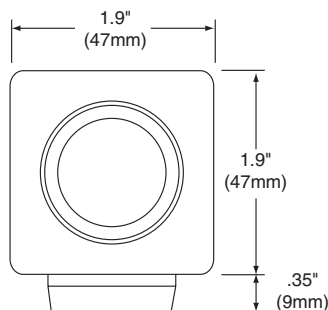
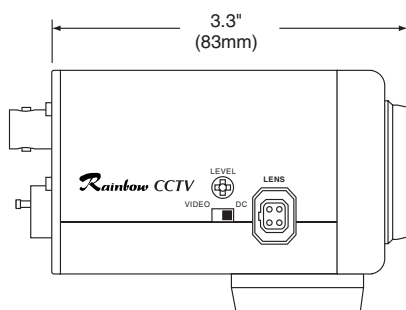
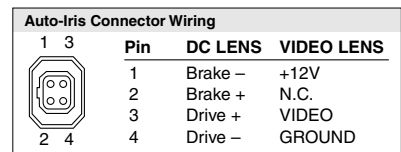


- 1/3" Color DSP (Sony chipset)
- 460 TV lines resolution
- High sensitivity of 0.3 lux
- 12VDC or 24VAC input
- Electronic iris
- Backlight compensation
- Built-in isolated power supply
- 3-year warranty
- Backfocus Mode™ for easy, one touch backfocusing. No more filters or numerous adjustments for lens/camera setup. Push the button, focus the lens and you're done!

Model	CLD46D
Image Sensor	1/3" Interline Transfer Sony Super HAD CCD
TV System	NTSC
Picture Elements (pixels)	811 (H) × 508(V)
Horizontal Resolution	460 TV Lines
Min. Illumination	1.0 lux (Normal AGC Mode) / 0.3 lux (Hi-Gain AGC Mode) at F1.2
Signal to Noise Ratio	More than 48dB
Synchronizing System	Phase Adjustable Line Lock - Range 0~350° / Internal Selectable
Video Output	1Vp-p 75ohm
Auto-Iris Drive	DC or Video Type (4-pin square connector)
White Balance	Range of 2700~7000° K Auto or Hold Mode (Push Lock)
Electronic Iris	1/60-1/100,000 - On/Off Selectable
BLC (Backlight Compensation)	On/Off Selectable (Center Zone Detection)
AGC (Automatic Gain Control)	Normal Mode / Hi-Gain Mode Selectable
Power Requirement	12VDC/24VAC ±20% (Isolated Power Supply Built Into Camera)
Operating Current	250mA Max
Operating Condition	+14 ~ 122°F (-10°C ~ +50°C) Within 85% RH
Lens Mount	CS/C (C-mount adapter included) with Cam-type Backfocus Adjustment
Measurement – w/h/d	1.9 × 1.9 × 3.3 inches (47 × 47 × 83mm)
Weight / Color	7.1 oz. (200g) / Ivory
Included Accessories	CS-C mount adapter, 4-pin iris connector

Recommended Lenses (Additional lens types are available)

Type	Focal Length	Angle of View	Manual Iris	DC Auto-Iris
Vari-Focal	2.7~12mm	83~23°	—	L212VDC4P
	3~8mm	93~36°	L308VCS	L308VDC4P
	5~50mm	54~6°	—	L550VDC4P
	6.5~39mm	41~7°	L639VCS	L639VDC4P
	8.5~51mm	32~5°	L851VCS	L851VDC4P



Specifications subject to change without notice