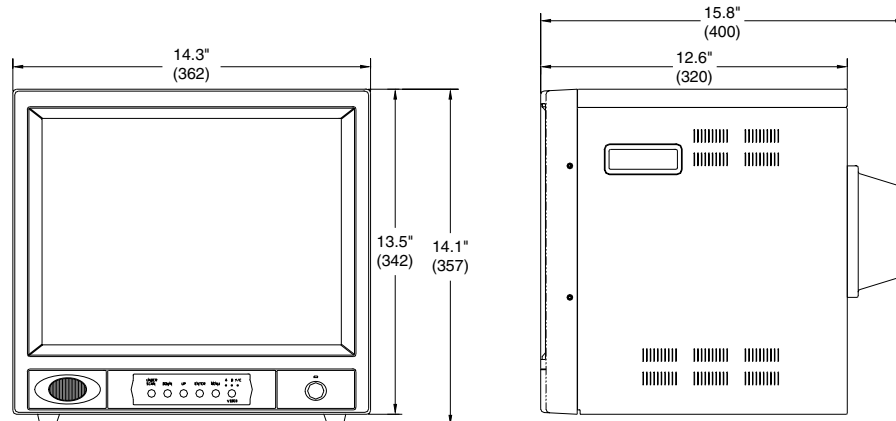




- 15-inch flat and square screen CRT
- 520 TV lines resolution
- Multi-language On Screen Display (OSD)
- Looping Video inputs/outputs with auto-termination (2 BNC, 1 Y/C)
- Audio inputs/outputs (2)
- Front panel video input selection (A/B/Y/C manual or auto-switching)
- NTSC/PAL compatible
- 96~256VAC 50/60Hz power input
- Underscan feature

Model	RMC15
System	NTSC or PAL (auto-sensing)
Horizontal Resolution	520 lines Horizontal / 480 lines vertical
Video Input	0.5~2Vp-p composite video / Y:1.0Vp-p, C:0.7Vp-p
Input Impedence	75 ohms or higher (auto terminating)
Bandwidth	8MHz
Video Gain	30db
Linearity	Horizontal: 10% Maximum / Vertical: 8%
Power Input	96~256VAC 50/60Hz
Power Consumption	63W
Operating Temperature	14 to 122° F (-10 to 50° C)
Storage Temperature	-4 to 158° F (-20 to 70° C)
Humidity	30 to 90% RH
Certifications	UL, CE
Dimensions	14.3 x 14.1 x 15.8 inches w/h/d (362 x 357 x 400mm)
Weight	30.8 lbs. (14kg)
Construction	Steel cabinet with plastic front panel
Front Controls	Power ON/OFF switch / Under Scan / Channel Selection (A/B/Y/C) Color / Contrast / Brightness / Tint / Volume / Language
Rear Panel Connectors	Video in/out x2 (BNC) - Channels A/B Y/C in/out (4-pin DIN) - Channel Y Audio in/out x2 (RCA) - For channels A/B
Audio Input Signal	300~500mVp-p



Specifications subject to change without notice