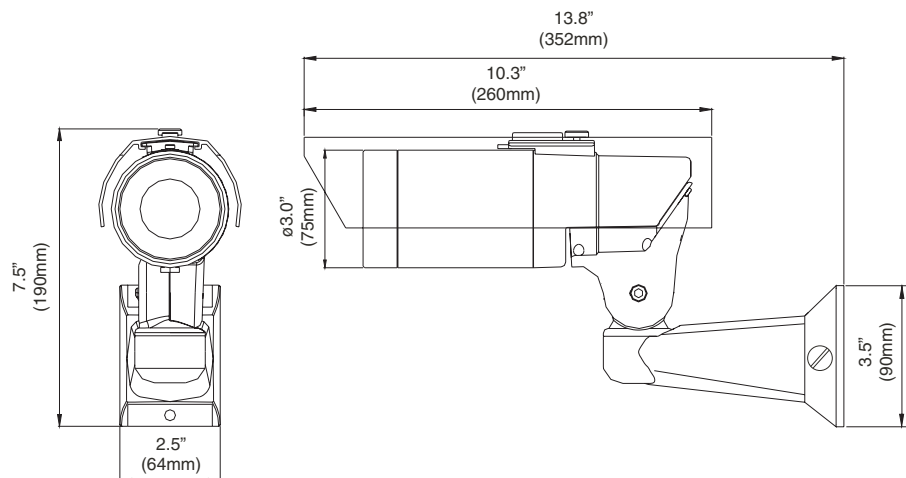


- 1/3" Color DSP High Resolution Sony Ex-View HAD CCD
- 2.7~12mm Day/Night DC auto-iris lens (no focus shift under IR)
- Weatherproof housing with heater and blower
- True Day/Night using moving filter technology (IR sensitive)
- 12VDC or 24VAC operation
- Concealed bracket for cabling



Model	ODL48VD2H	ODL48VD2HX
Lens	2.7~12mm F1.2~360 DC auto-iris Day/Night (Aspheric)	
Field of View	97~24° Horizontal	
Image Sensor	1/3" Color DSP Sony Ex-View HAD CCD	
Horizontal Resolution	480 TV Lines	
TV System	NTSC	NTSC
Picture Elements (pixels)	768 (H) × 494 (V)	752 (H) × 582 (V)
Min. Illumination	0.03 lux	
Signal to Noise Ratio	More than 48dB	
Synchronizing System	Internal	
Video Output	1Vp-p 75ohm	
Gamma Correction	r = 0.45	
White Balance	Auto	
Gain Control	Auto	
Power Requirement	12VDC / 24VAC (auto-sensing) ±20%	
Operating Current	12VDC / 24VAC: 17W (700mA) Max.	
Operating Condition	-40 ~ 122°F (-40°C ~ +50°C)	
Measurements (w/h/d)	See drawing below	
Weight	4.8 lbs. (2.18kg)	
Connections	4' (1.2m) cables for power and video. Conduit holes on base of mount (1/2" & 3/4")	



Specifications subject to change without notice