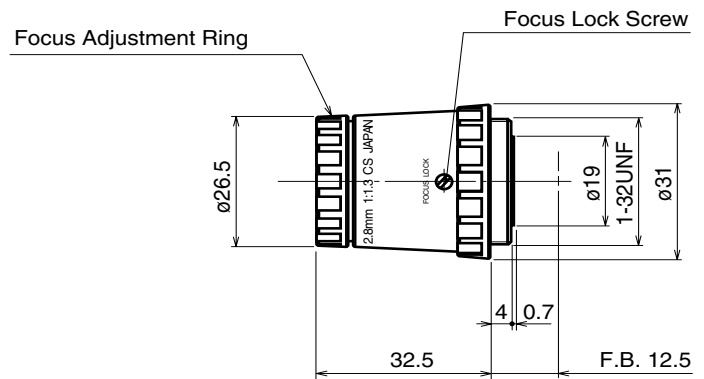


L2.8 1.3/CS

Focal Length:	2.8mm
Max. Relative Aperture:	1:1.3
Iris:	Without Iris
Angular Field of View:	1/3": 91.7° × 68.2° 1/4": 68.2° × 51.5°
Min. Object Distance (M.O.D.):	0.2m (From Front Vertex)
Optical Back Focal Distance:	8.5mm (In Air)
Operation:	Focus: Manual Iris: Without Iris
Operation Temperature:	-10 ~ +50°C (+14 ~ 122° F)
Filter Size:	None
Size, Approx. Weight:	ø31 x 32.5mm, 25g (Approx. ø1.2 × 1.3in., 0.9oz.)

2.8mm F1.3 – CS-Mount

Compatible with 1/3" & 1/4" Cameras

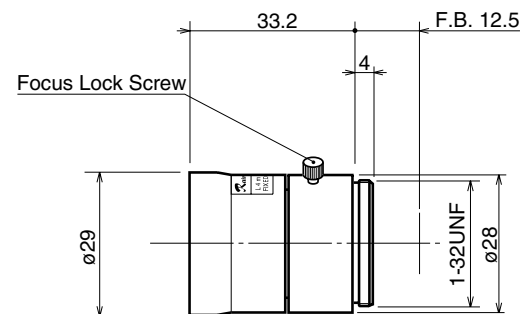


L4CS

Focal Length:	4mm
Max. Relative Aperture:	1:1.2
Iris:	Without Iris
Angular Field of View:	1/3": 70.7° × 53.41° 1/4": 49.1° × 37.3°
Min. Object Distance (M.O.D.):	0.1m (From Front Vertex)
Optical Back Focal Distance:	9.0mm (In Air)
Operation:	Focus: Manual Iris: Without Iris
Operation Temperature:	-10 ~ +50°C (+14 ~ 122° F)
Filter Size:	None
Size, Approx. Weight:	ø29 × 33.2mm, 35g (Approx. ø1.2 × 1.3in., 1.2oz.)

4mm F1.2 – CS-Mount

Compatible with 1/3" & 1/4" Cameras



L8 1.3/CS

Focal Length:	8mm
Max. Relative Aperture:	1:1.3
Iris:	Without Iris
Angular Field of View:	1/3": 33.4° × 25.4° 1/4": 25.4° × 19.2°
Min. Object Distance (M.O.D.):	0.2m (From Front Vertex)
Optical Back Focal Distance:	12.36mm (In Air)
Operation:	Focus: Manual Iris: Without Iris
Operation Temperature:	-10 ~ +50°C (+14 ~ 122° F)
Filter Size:	None
Size, Approx. Weight:	ø37.2 × 34.8mm, 30g (Approx. ø1.5 × 1.4in., 1.1oz.)

8mm F1.3 – CS-Mount

Compatible with 1/3" & 1/4" Cameras

