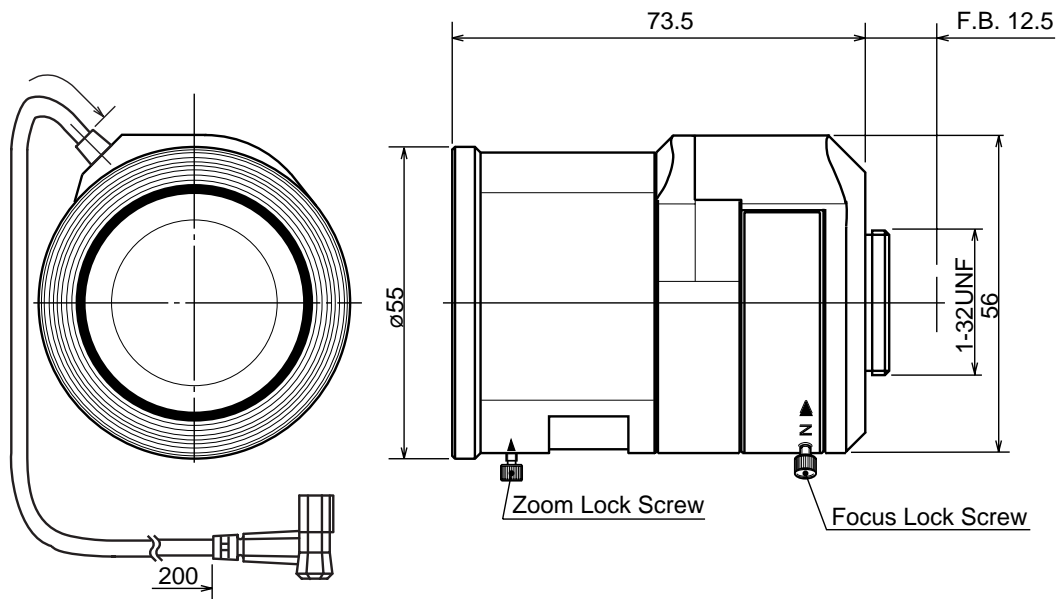


L550VDC4P – (DC-type auto-iris with 4-pin)

5~50mm F1.45 – CS-Mount

Compatible with 1/3" & 1/4" Cameras

Focal Length:	5~50mm	Operation:	Zoom: Manual
Max. Relative Aperture:	1:1.45		Focus: Manual
Iris:	F1.45~Approx. F360 Built-in ND Spot Filter		Iris: IG (Auto-Close System)
Angular Field of View:	1/3": 54.2° × 40.4° at 5mm 5.6° × 4.2° at 50mm 1/4": 40.4° × 30.1° at 5mm 4.2° × 3.1° at 50mm	Operation Voltage:	Close to Open: Less than 3V Open to Close: More than 0.5V
Min. Object Distance (M.O.D.):	0.3m (From Front Vertex)	Operation Temperature:	-10 ~ +50°C (+14 ~ 122° F)
Optical Back Focal Distance:	15.23mm (In Air)	Filter Size:	None
		Mount:	CS-Mount (Adjustable Lens Postion)
		Size, Approx. Weight:	55 × 56 × 73.5mm (w/h/d), 140g (Approx. 2.2 × 2.2 × 2.9in., 4.9oz.)



Camera Connector Wiring

1	3	Pin	Signal
2	4	1	Brake – *
		2	Brake + *
		3	Drive +
		4	Drive –

* Also referred to as DAMP, CONTROL, or DUMP