

L540VCS – (Manual Iris)

5~40mm F1.6 – CS-Mount

Compatible with 1/3" & 1/4" Cameras

Focal Length: 5~40mm

Max. Relative Aperture: 1:1.6

Iris: F1.6~Close

Angular Field of View:
 1/3": 53.6° × 40.2° at 5mm
 6.5° × 4.8° at 40mm
 1/4": 40.2° × 32.3° at 5mm
 4.8° × 4.2° at 40mm

Min. Object Distance (M.O.D.): 0.1~1.0m (From Front Vertex)

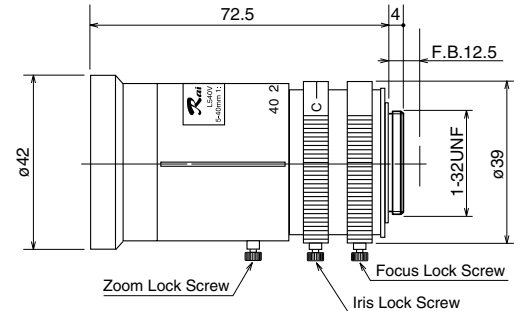
Optical Back Focal Distance: 9.6~15.9mm (In Air)

Operation: Zoom: Manual
 Focus: Manual
 Iris: Manual

Operation Temperature: -10 ~ +50°C (+14 ~ 122° F)

Filter Size: 40.5 P0.75

Size, Approx. Weight: ø42 × 72.5mm (dia/d), 134g
 (Approx. ø1.7 × 2.9in., 4.8oz.)



L540VDC4P – (DC-type auto-iris with 4-pin)

5~40mm F1.6 – CS-Mount

Compatible with 1/3" & 1/4" Cameras

Focal Length: 5~40mm

Max. Relative Aperture: 1:1.6

Iris: F1.6~Approx. 360
 With ND Spot Filter

Angular Field of View:
 1/3": 53.6° × 40.2° at 5mm
 6.5° × 4.8° at 40mm
 1/4": 40.2° × 32.3° at 5mm
 4.8° × 4.2° at 40mm

Min. Object Distance (M.O.D.): 0.1~1.0m (From Front Vertex)

Optical Back Focal Distance: 9.6~15.9mm (In Air)

Operation: Zoom: Manual
 Focus: Manual
 Iris: IG (Auto-Close System)

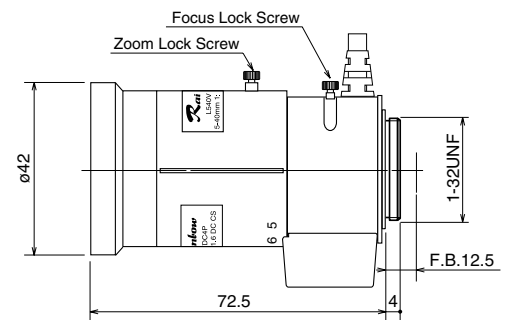
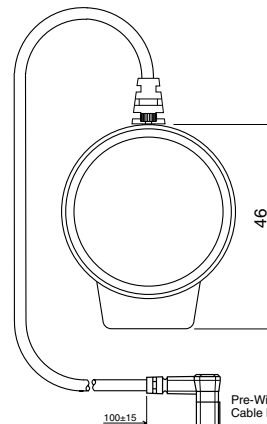
Operation Voltage: Close to Open: Less than 3V
 Open to Close: More than 0.5V

Operation Temperature: -10 ~ +50°C (+14 ~ 122° F)

Filter Size: 40.5 P0.75

Mount: CS-Mount
 (Adjustable Lens Postion)

Size, Approx. Weight: 42 × 46 × 72.5mm (w/h/d), 155g
 (Approx. 1.7 × 1.8 × 2.9in., 5.5oz.)



Pre-Wired For Camera (4P Male)
 Cable Length 250mm (10")

Camera Connector Wiring

1	3	Pin	Signal
2	4	1	Brake - *
		2	Brake + *
		3	Drive +
		4	Drive -

* Also referred to as DAMP, CONTROL, or DUMP