

Specifications

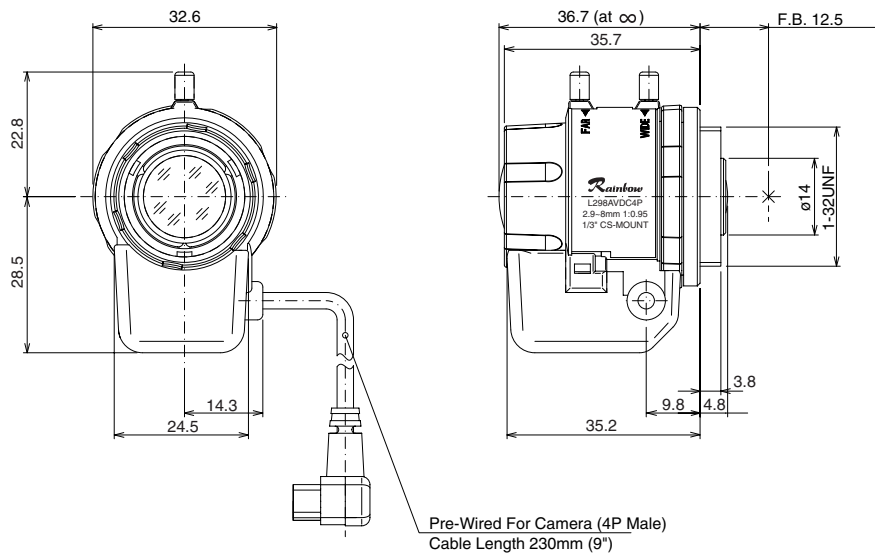
L298AVDC4P

2.9~8mm F0.95
DC-type Auto-Iris, Aspheric

Focal Length:	2.9~8mm
Max. Relative Aperture:	1:0.95
Iris:	F0.95~Approx. F360 Built-in ND Spot Filter
Angular Field of View:	1/3": 93.3° × 68.5° at 2.9mm 34.5° × 26.1° at 8mm 1/4": 68.5° × 43.5° at 2.9mm 26.1° × 19.1° at 8mm
Min. Object Distance (M.O.D.):	0.3m (From Front Vertex)
Optical Back Focal Distance:	7.7~14.61mm (In Air)
Operation:	Zoom: Manual Focus: Manual Iris: IG (Auto-Close System)
Operation Voltage:	Close to Open: Less than 3V Open to Close: More than 0.5V
Operation Temperature:	-10 ~ +50°C (+14 ~ 122° F)
Filter Size:	None
Mount:	CS-Mount (Adjustable Lens Postion)
Size, Approx. Weight:	32.6 × 51.3 × 36.7mm (w/h/d), 50g (Approx. 1.3 × 2.0 × 1.4in., 1.8oz.)



Dimensions



Wiring



Pin	Signal
1	Brake - *
2	Brake + *
3	Drive +
4	Drive -

* Also referred to as DAMP, CONTROL, or DUMP

Specifications subject to change without notice