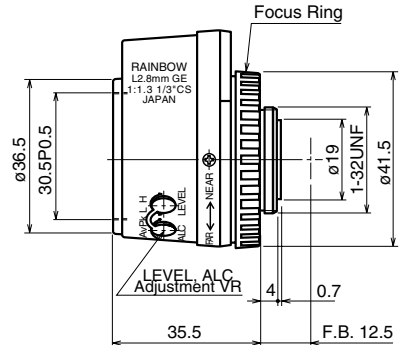
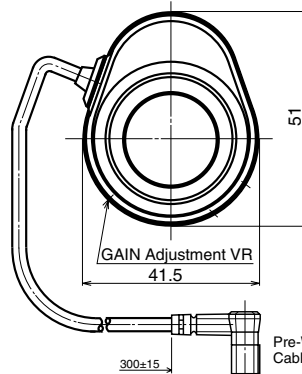


L28GECS

2.8mm F1.3 – CS-Mount
Compatible with 1/3" & 1/4" Cameras

- Focal Length:** 2.8mm
- Max. Relative Aperture:** 1:1.3
- Iris:** F1.3~Approx. F88
With ND Spot Filter
- Angular Field of View:** 1/3": 87.6° × 68.2°
1/4": 68.2° × 51.5°
- Min. Object Distance (M.O.D.):** 0.2m (From Front Vertex)
- Optical Back Focal Distance:** 8.5mm (In Air)
- Operation:** Focus: Manual
Iris: Auto (DC+8~16V: Fixed Voltage, Max. 40mA) Auto-Close System Speed Within 4 sec.
- Auto-Iris Accuracy:** With Input Video Signal 0.7Vp-p Within ±10% of Mean Value
- Auto-Iris Input Signal:** Composite Video Signal or Video Signal
- Input Impedance:** High Impedance
- Sensitivity Adjustment:** Image Signal Level 0.5~1.5Vp-p
- Operation Temperature:** -10 ~ +50°C (+14 ~ 122° F)
- Filter Size:** 30.5mm P0.5
- Mount:** CS-Mount
(Adjustable Lens Postion)
- Size, Approx. Weight:** 41.5 × 51 × 35.5mm (w/h/d), 55g
(Approx. 1.6 × 2.0 × 3.8in., 2.0 oz.)



Pre-Wired For Camera (4P Male)
Cable Length 300mm (12")

| Camera Connector Wiring | | Pin | Signal |
|-------------------------|---|-----|--------|
| 1 | 3 | | |
| 2 | 4 | 2 | N.C. |
| | | 3 | Video |
| | | 4 | Ground |

VIDEO TYPE LENS

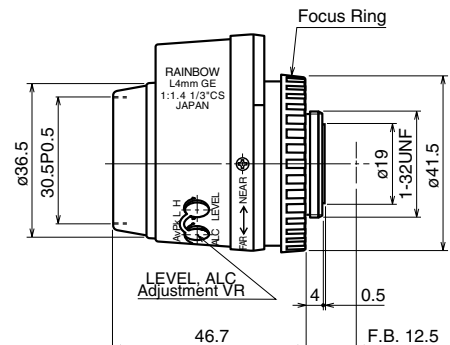
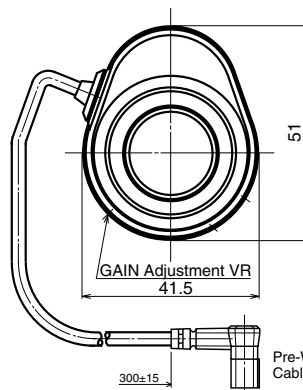
For cameras with standard wiring for Video type lenses (Rainbow, Panasonic, Sanyo, Sony, etc.)

Note: Some brands (incl. Everfocus, Javelin, Watec) use the same 4-pin connector with non-standard wiring. **To avoid camera damage, compare wiring instructions in camera box to this diagram.**

L4GECS

4mm F1.4 – CS-Mount
Compatible with 1/3" & 1/4" Cameras

- Focal Length:** 4mm
- Max. Relative Aperture:** 1:1.3
- Iris:** F1.3~Approx. F88
With ND Spot Filter
- Angular Field of View:** 1/3": 63.9° × 49.1°
1/4": 68.2° × 51.5°
- Min. Object Distance (M.O.D.):** 0.2m (From Front Vertex)
- Optical Back Focal Distance:** 8.5mm (In Air)
- Operation:** Focus: Manual
Iris: Auto (DC+8~16V: Fixed Voltage, Max. 40mA) Auto-Close System Speed Within 4 sec.
- Auto-Iris Accuracy:** With Input Video Signal 0.7Vp-p Within ±10% of Mean Value
- Auto-Iris Input Signal:** Composite Video Signal or Video Signal
- Input Impedance:** High Impedance
- Sensitivity Adjustment:** Image Signal Level 0.5~1.5Vp-p
- Operation Temperature:** -10 ~ +50°C (+14 ~ 122° F)
- Filter Size:** 30.5mm P0.5
- Mount:** CS-mount
(Adjustable Lens Postion)
- Size, Approx. Weight:** 41.5 × 51 × 46.7mm (w/h/d), 70g
(Approx. 1.6 × 2.0 × 1.8in., 2.5 oz.)



Pre-Wired For Camera (4P Male)
Cable Length 300mm (12")

| Camera Connector Wiring | | Pin | Signal |
|-------------------------|---|-----|--------|
| 1 | 3 | | |
| 2 | 4 | 2 | N.C. |
| | | 3 | Video |
| | | 4 | Ground |

VIDEO TYPE LENS

For cameras with standard wiring for Video type lenses (Rainbow, Panasonic, Sanyo, Sony, etc.)

Note: Some brands (incl. Everfocus, Javelin, Watec) use the same 4-pin connector with non-standard wiring. **To avoid camera damage, compare wiring instructions in camera box to this diagram.**