

Q BigEYE™ fixed outdoor camera

Description The Q BigEYE™ is an outdoor fixed enclosure containing a high quality colour true day/night camera. Aesthetically designed with rugged aluminium die-castings, the Q BigEYE™ is available in 2 versions both being protection rated to BS EN 60529 IP66.

Cameras come complete with the Q Socket™ universal mount and feature a thermostatically controlled window heater and semi-cable management through the mounting bracket. Mounting to the wall the camera can be manually positioned and securely locked, providing 90° of pan left or right adjustment and 90° of tilt down.

Q BigEYE™ zoom models are equipped with an 18:1 Sony 'zoom cam' which can be remotely controlled via Dennard, BBV, DM or Q Hub™ controllers. With 8 user definable presets and a patrol facility this model excels at zooming to capture a level of detail unavailable with standard fixed cameras.



Key features:

- Colour/mono, true day/night camera
- IP66 Weatherproof construction
- Thermostatically controlled heater
- Fully assembled, ready to install
- Remote zoom function (Q BigEYE™ zoom)
- Designed & built in the U.K.

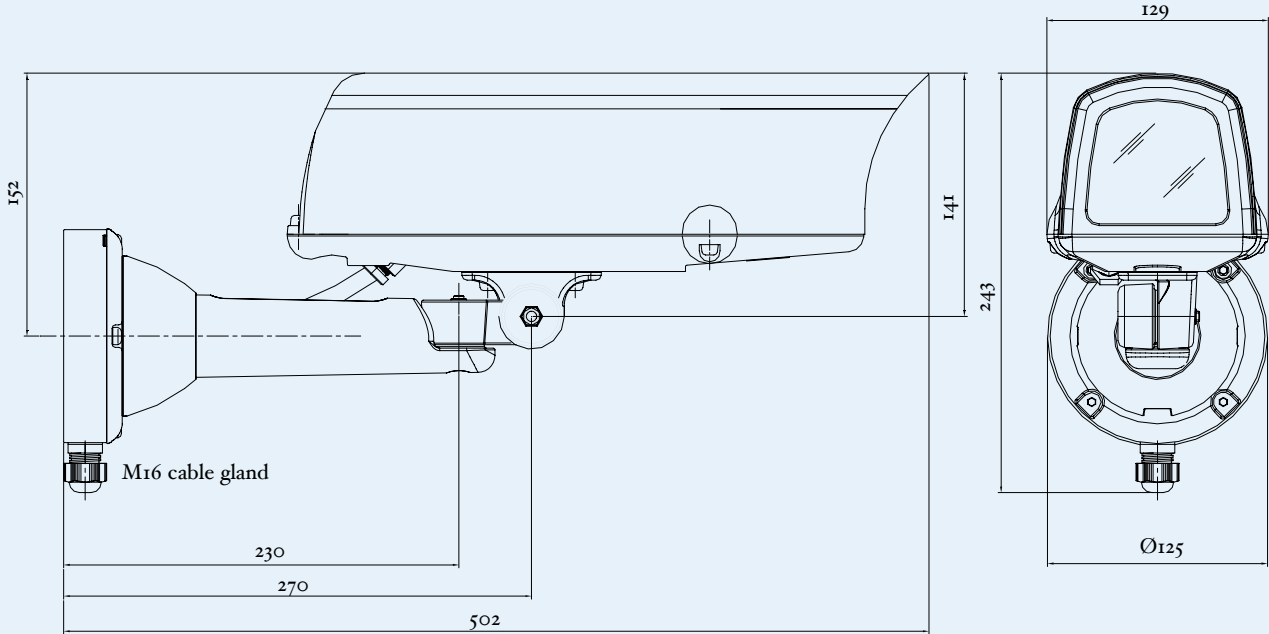
Models:

Q BigEYE™

Q BigEYE™ zoom



Q BigEYE™ fixed camera



ALL DIMENSIONS IN MM

SPECIFICATION

	Q BigEYE™	Q BigEYE™ zoom
Material	Pressure die cast Aluminium alloy	
Finish	Powder coated and stoved. Colour: Ash grey BS 4800 (1982) 00 A 01	
Environmental protection	BS. EN. 60529 Level IP 66	
Weight	3.5kg	
Camera movement	Manually adjustable pan 90° left or right from centre line and tilt 90° down	
Voltage	24 Vac	
Current consumption	650mA	
Power consumption	15.7W	
Operating temperature	-10°C to +50°C max 90% humidity	
Internal heater	Thermostatically controlled activates on a falling temperature of 20°C	
Lens	Computar 3.5 - 8.0mm CS vari-focal, auto iris	18:1 zoom lens with auto focus
Camera model	Pecan SC5712ST	Sony EX480AP
Image sensor	1/3"Sony EX-view chipset colour/mono	1/4" CCD colour/mono
Effective pixels		752 x 582 (HxV)
Horizontal resolution	450TVL (colour) 570TVL (mono)	480TVL
Min. illumination	0.4 lux	0.2 lux



Finns Business Park, Mill Lane, Surrey. GU10 5RP

T. +44(0)1252 852111 F. +44(0)1252 852155 email: sales@quickcctv.com



The information contained in this document is for guidance only. Specification and availability of the goods are subject to change without notice.

