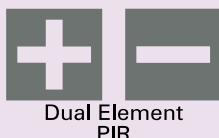
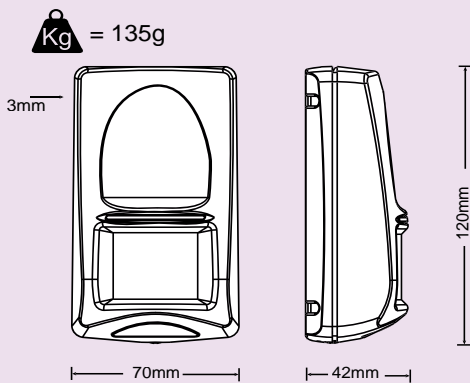




COMBINED TECHNOLOGY RANGE

ECLIPSE EP

- Dual Element Pyro-electric Sensor
- Microwave Supervision
- AND/OR alarm activation Algorithm
- Mirror creep zone



Dual Element
PIR

AND/OR TECHNOLOGY: EXPLAINED

The detector is able to operate in two modes:

AND Mode: Both the PIR and Microwave must be triggered simultaneously to generate an alarm.

OR Mode: When one technology (PIR or microwave) sees a period of intruder activity without the other technology seeing an activation an alarm will still be generated.