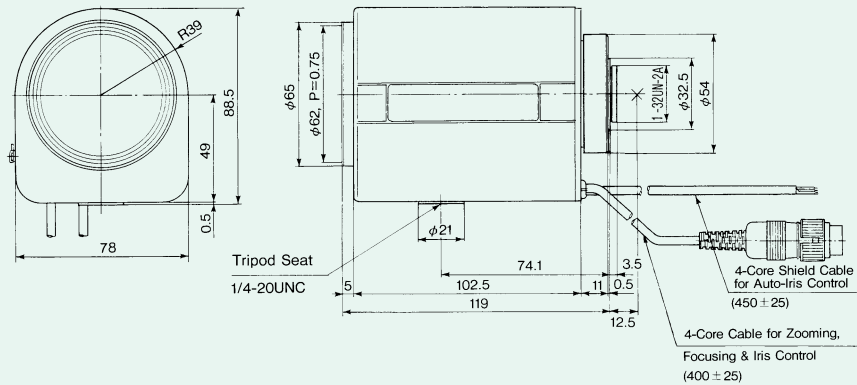


1/3 Format Motorized Zoom (Auto-Iris)

■ TS15ZME(C70601)

CS-MOUNT
Unit:mm



■ Specification

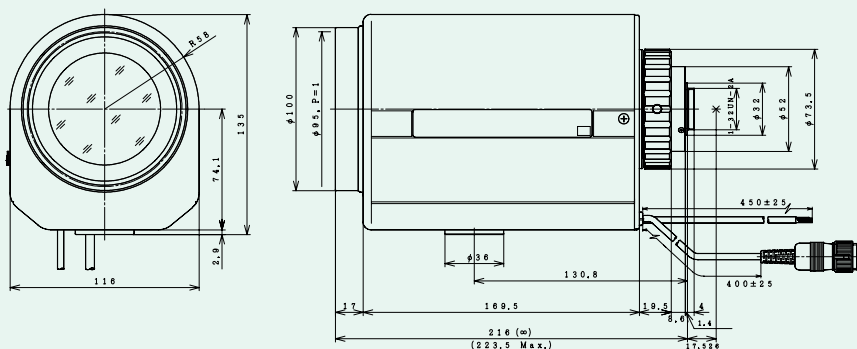
Focal Length	6.0~90mm	
Max. Aperture Ratio	1:1.2~1.8	
Iris Range	F1.2~720	
Operation Method	Iris	Auto
	Focus	Motorized
	Zoom	Motorized
1/4 Format Angle of View	Horizontal	32.96~2.33
	Vertical	24.86~1.76
1/3 Format Angle of View	Horizontal	43.48~3.08
	Vertical	32.96~2.33
1/2 Format Angle of View	Horizontal	-----
	Vertical	-----
Min. Object Distance	1.5m	
Back Focal Length	10.7mm	
Flange Back Length	12.5mm	
Filter Size	φ 62.0mm P=0.75mm	
Applicable Temp. Range	-10°C~+50°C	
Dimensions	78×88.5×119mm	
Weight	760g	
Metering Method	Continuously Adj.	
Supply Vol. & Current	DC8~15V Max. 40mA	
Input Signal	VS or V Signal	
Iris Accuracy	±20% at V Signal Level	
Sensitivity Adj.	0.5~1.0V _p at V Signal Level	
Input Impedance	High Impedance	
Response Speed	Approx. 1.5 sec.	
Remarks	Video & DC Iris	

		Focus	Zoom
Control Voltage & Current	Type1	DC6V Max. 50mA / Motor	DC6V Max. 50mA / Motor
	Type2	DC±12V Max. 35mA / Motor	DC±12V Max. 35mA / Motor
	Type3	DC±6V Max. 50mA / Motor	DC±6V Max. 50mA / Motor
	Type5	DC12V Max. 35mA / Motor	DC12V Max. 35mA / Motor
	Operation Speed	Type1	Approx. 8.0 sec.
Type2		Approx. 8.0 sec.	Approx. 6 sec.
Type3		Approx. 8.0 sec.	Approx. 6 sec.
Type5		Approx. 8.0 sec.	Approx. 6 sec.

1/3 Format Motorized Zoom (Auto-Iris)

■ TS20ZME(C70900)

CS-MOUNT
Unit:mm



■ Specification

Focal Length	9~180mm	
Max. Aperture Ratio	1:1.2~2.1	
Iris Range	F1.2~510	
Operation Method	Iris	Auto
	Focus	Motorized
	Zoom	Motorized
1/4 Format Angle of View	Horizontal	22.61~1.15
	Vertical	16.93~0.87
1/3 Format Angle of View	Horizontal	30.28~1.53
	Vertical	22.61~1.15
1/2 Format Angle of View	Horizontal	-----
	Vertical	-----
Min. Object Distance	2.2m	
Back Focal Length	14.25mm	
Flange Back Length	17.526mm	
Filter Size	φ 95mm P=1.0mm	
Applicable Temp. Range	-10°C~+50°C	
Dimensions	116×135×216mm	
Weight	2590g	
Metering Method	Continuously Adj.	
Supply Vol. & Current	DC8~15V Max.	
Input Signal	VS or V Signal	
Iris Accuracy	±20% at V Signal Level	
Sensitivity Adj.	0.5~1.0V _p at V Signal Level	
Input Impedance	High Impedance	
Response Speed	Approx. 1.5 sec.	
Remarks	Video Iris	

		Focus	Zoom
Control Voltage & Current	Type1	DC6V Max. 120mA / Motor	DC6V Max. 120mA / Motor
	Type2	DC±12V Max. 70mA / Motor	DC±12V Max. 70mA / Motor
	Type3	DC±6V Max. 120mA / Motor	DC±6V Max. 120mA / Motor
	Type5	DC12V Max. 70mA / Motor	DC12V Max. 70mA / Motor
	Operation Speed	Type1	Approx. 10 sec.
Type2		Approx. 10 sec.	Approx. 8 sec.
Type3		Approx. 10 sec.	Approx. 8 sec.
Type5		Approx. 10 sec.	Approx. 8 sec.