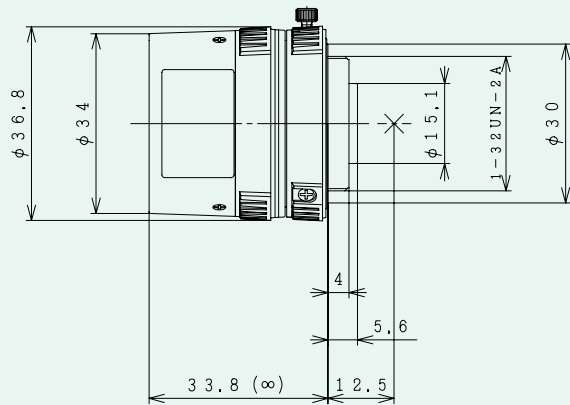


## 1/3 Format Manual Iris

■ TS812A(C70807)

CS-MOUNT

Unit:mm



■ Specifications		TS812A		
Focal Length		8mm		
Max. Aperture Ratio		1:1.2		
Iris Range		F1.2~Close		
Operation Method	Iris	Manual		
	Focus	Manual		
	Zoom	—		
1/4 Format Angle of View	Horizontal	25.05		
	Vertical	18.80		
1/3 Format Angle of View	Horizontal	33.33		
	Vertical	25.05		
1/2 Format Angle of View	Horizontal	—		
	Vertical	—		
Min. Object Distance		0.3m		
Back Focal Length		7.73mm		
Flange Back Length		12.5mm		
Filter Screw Size		—		
Temperature Range		-20°C~+50°C		
Dimensions		φ 36.8×33.8mm		
Weight		34g		
Remarks				