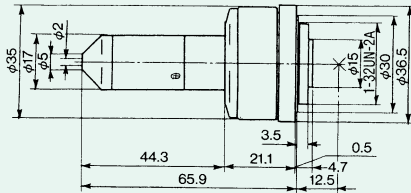


1/3 Format Manual Iris Pinhole

■ TS420P(C70404)

CS-MOUNT

Unit:mm

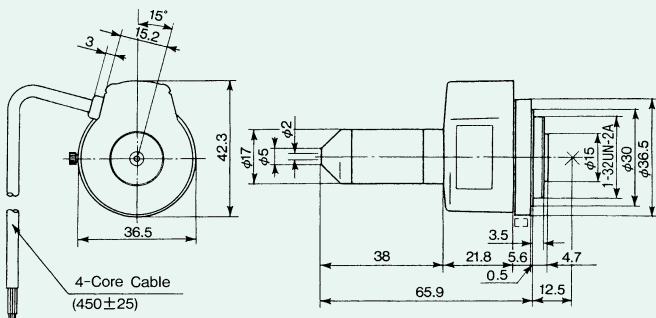


1/3 Format Auto-Iris Pinhole

■ TS420PE(C70403)

CS-MOUNT

Unit:mm



■ Specifications		TS420P	TS420PE		
Focal Length		4mm	4mm		
Max. Aperture Ratio		1:2.0	1:2.0		
Iris Range		F2.0~Close	F2.0~64		
Operation Method	Iris	Manual	Auto		
	Focus	Manual	Manual		
	Zoom	—	—		
1/4 Format Angle of View	Horizontal	51.24	51.24		
	Vertical	38.39	38.39		
1/3 Format Angle of View	Horizontal	68.47	68.47		
	Vertical	51.24	51.24		
1/2 Format Angle of View	Horizontal	—	—		
	Vertical	—	—		
Min. Object Distance		0.3m	0.3m		
Back Focal Length		8.55mm	8.55mm		
Flange Back Length		12.5mm	12.5mm		
Filter Screw Size		—	—		
Temperature Range		-20°C~+50°C	-20°C~+50°C		
Dimensions		φ 36.5×65.9mm	36.5×42.3×65.9mm		
Weight		74g	79g		
Remarks			DC Iris		