

1/4 Format Manual Iris Vari-Focal

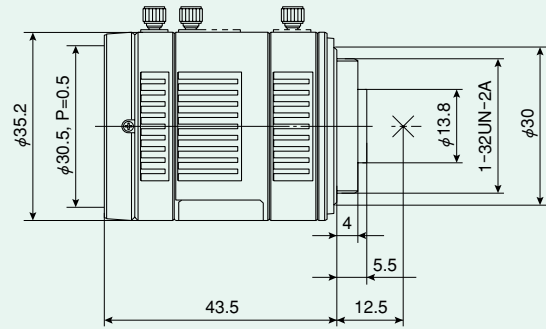
■ QS2V2212

CS-MOUNT
Unit:mm

■ QS2V2812(C40207)

CS-MOUNT
Unit:mm

COMING SOON!



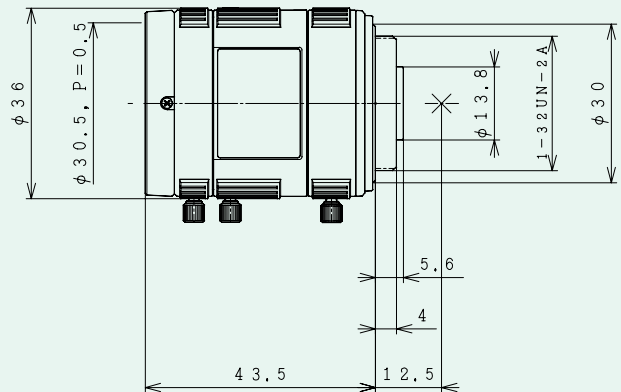
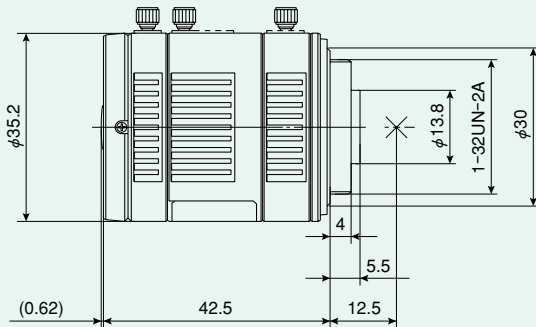
1/3 Format Manual Iris Vari-Focal

■ TS2V214(C70213)

CS-MOUNT
Unit:mm

■ TS2V314A(C70308)

CS-MOUNT
Unit:mm



■ Specifications		QS2V2212	QS2V2812	TS2V214	TS2V314A
Focal Length		2.2~4.5mm	2.8~5.8mm	2.8~6mm	3.5~8mm
Max. Aperture Ratio		1:1.2	1:1.2	1:1.4	1:1.4
Iris Range		F1.2~Close	F1.2~Close	F1.4~Close	F1.4~Close
Operation Method	Iris	Manual	Manual	Manual	Manual
	Focus	Manual	Manual	Manual	Manual
	Zoom	Manual	Manual	Manual	Manual
1/4 Format Angle of View	Horizontal	76.21~36.41	55.84~27.22	72.46~35.15	58.74~26.55
	Vertical	—	—	54.24~26.40	43.57~19.90
1/3 Format Angle of View	Horizontal	—	—	96.94~46.74	79.83~35.44
	Vertical	—	—	72.46~35.15	58.74~26.55
1/2 Format Angle of View	Horizontal	—	—	—	—
	Vertical	—	—	—	—
Min. Object Distance		—	0.3m	0.3m	0.35m
Back Focal Length		—	Min. 7.50mm	Min. 7.54mm	Min. 7.79mm
Flange Back Length		12.5mm	12.5mm	12.5mm	12.5mm
Filter Screw Size		—	φ 30.5mm P=0.5mm	—	φ 30.5mm P=0.5mm
Temperature Range		-20°C~+50°C	-20°C~+50°C	-20°C~+50°C	-20°C~+50°C
Dimensions		—	φ 36×43.5mm	φ 36×43.2mm	φ 36×43.5mm
Weight		—	45g	47g	43g
Remarks		—	—	—	—