

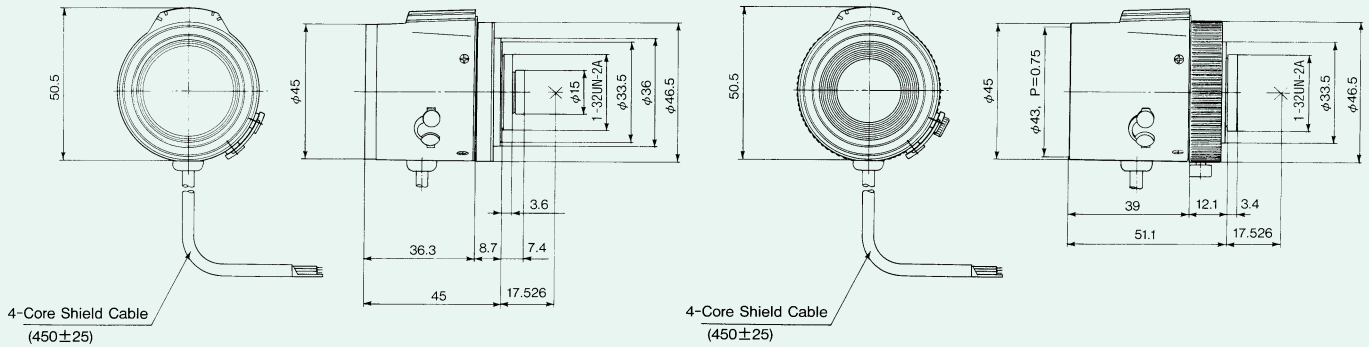
## 1/2 Format Auto-Iris

H416E(C60405)

C-MOUNT  
Unit:mm

H612E(C60625)

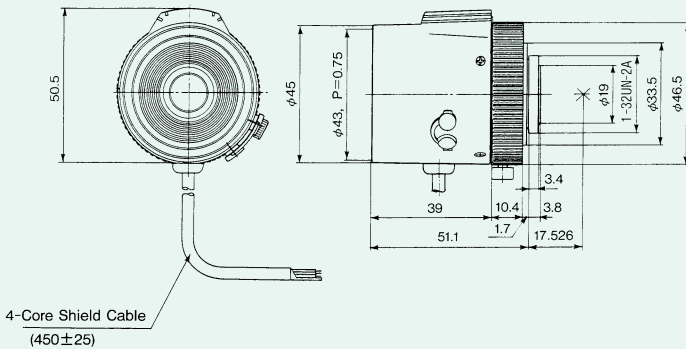
C-MOUNT  
Unit:mm



## 1/2 Format Auto-Iris

H1212E(C61220)

C-MOUNT  
Unit:mm



■Specifications		H416E	H612E	H1212E
Focal Length		4.2mm	6mm	12mm
Max. Aperture Ratio		1:1.6	1:1.2	1:1.2
Iris Range		F1.6~360	F1.2~360	F1.2~360
Operation Method	Iris	Auto	Auto	Auto
	Focus	Fixed	Manual	Manual
	Zoom	—	—	—
1/4 Format Angle of View	Horizontal	47.87	32.97	16.93
	Vertical	35.76	24.84	12.70
1/3 Format Angle of View	Horizontal	64.27	43.55	22.60
	Vertical	47.87	32.97	16.93
1/2 Format Angle of View	Horizontal	86.77	56.93	30.18
	Vertical	64.27	43.55	22.60
Min. Object Distance		0.2m	0.2m	0.3m
Back Focal Length		10.4mm	14.3mm	13.9mm
Flange Back Length		17.526mm	17.526mm	17.526mm
Filter Screw Size		—	φ 43mm P=0.75mm	φ 43mm P=0.75mm
Temperature Range		-20°C~+50°C	-20°C~+50°C	-20°C~+50°C
Dimensions		46.5×50.5×45mm	46.5×50.5×51.1mm	46.5×50.5×51.1mm
Weight		135g	130g	130g
Remarks		Video Iris	Video Iris	Video Iris