

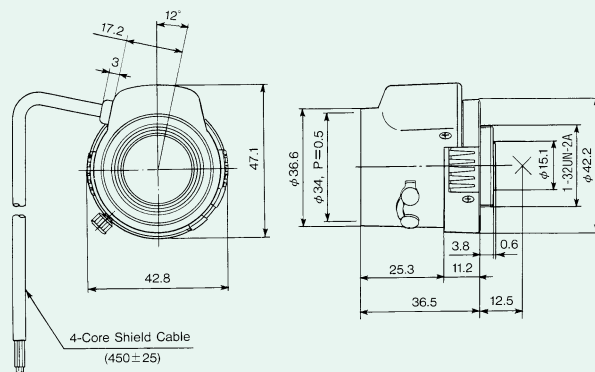
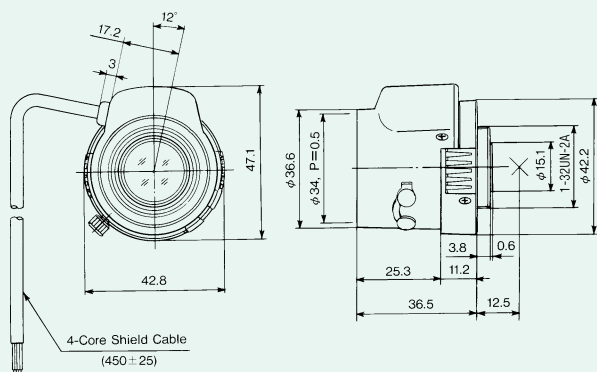
1/2 Format Auto-Iris

■ HS316E(C60309)

CS-MOUNT
Unit:mm

■ HS614E(C60630)

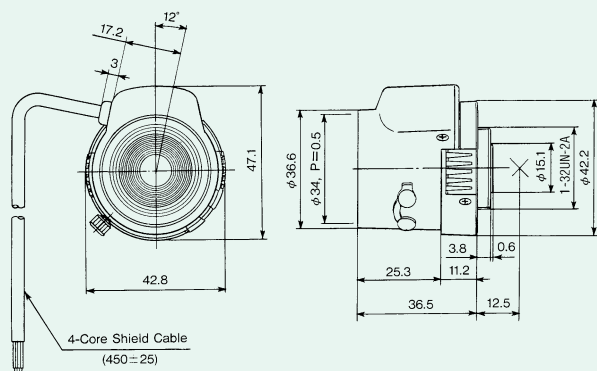
CS-MOUNT
Unit:mm



1/2 Format Auto-Iris

■ HS1214E(C61227)

CS-MOUNT
Unit:mm



| ■ Specifications | | HS316E | HS614E | HS1214E | |
|--------------------------|------------|------------------|------------------|------------------|--|
| Focal Length | | 3.7mm | 6mm | 12mm | |
| Max. Aperture Ratio | | 1:1.6 | 1:1.4 | 1:1.4 | |
| Iris Range | | F1.6~300 | F1.4~300 | F1.4~300 | |
| Operation Method | Iris | Auto | Auto | Auto | |
| | Focus | Manual | Manual | Manual | |
| | Zoom | | | | |
| 1/4 Format Angle of View | Horizontal | 53.54 | 33.86 | 16.55 | |
| | Vertical | 40.26 | 25.57 | 12.41 | |
| 1/3 Format Angle of View | Horizontal | 71.02 | 44.55 | 22.06 | |
| | Vertical | 53.54 | 33.86 | 16.55 | |
| 1/2 Format Angle of View | Horizontal | 93.65 | 57.82 | 29.42 | |
| | Vertical | 71.02 | 44.55 | 22.06 | |
| Min. Object Distance | | 0.2m | 0.2m | 0.3m | |
| Back Focal Length | | 8.99mm | 10.49mm | 10.38mm | |
| Flange Back Length | | 12.5mm | 12.5mm | 12.5mm | |
| Filter Screw Size | | φ 34mm P=0.5mm | φ 34mm P=0.5mm | φ 34mm P=0.5mm | |
| Temperature Range | | -20°C~+50°C | -20°C~+50°C | -20°C~+50°C | |
| Dimensions | | 42.8×47.1×36.5mm | 42.8×47.1×36.5mm | 42.8×47.1×36.5mm | |
| Weight | | 57g | 60g | 46g | |
| Remarks | | Video & DC Iris | Video & DC Iris | Video & DC Iris | |