

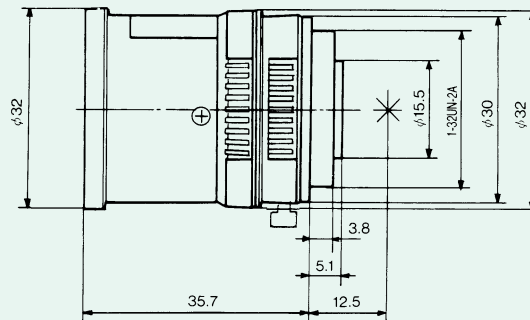
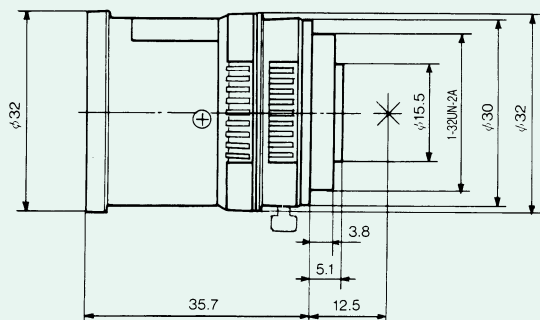
1/2 Format Manual Iris

■ HS316A(C60305)

CS-MOUNT
Unit:mm

■ HS614B(C60622)

CS-MOUNT
Unit:mm



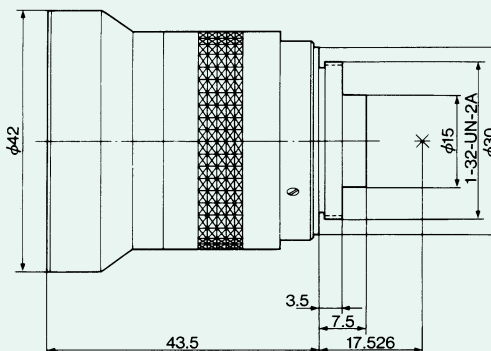
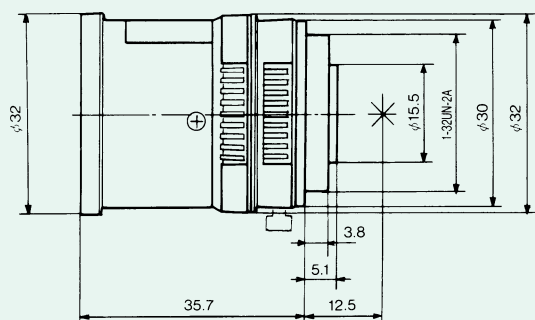
1/2 Format Manual Iris

■ HS1214D(C61217)

CS-MOUNT
Unit:mm

■ H416(C60402)

C-MOUNT
Unit:mm



■ Specifications		HS316A	HS614B	HS1214D	H416
Focal Length		3.7mm	6mm	12mm	4.2mm
Max. Aperture Ratio		1:1.6	1:1.4	1:1.4	1:1.6
Iris Range		F1.6~Close	F1.4~Close	F1.4~Close	F1.6~Close
Operation Method	Iris	Manual	Manual	Manual	Manual
	Focus	Manual	Manual	Manual	Fixed
	Zoom				
1/4 Format Angle of View	Horizontal	53.54	33.86	16.55	47.87
	Vertical	40.26	25.57	12.41	35.76
1/3 Format Angle of View	Horizontal	71.02	44.55	22.06	64.27
	Vertical	53.54	33.86	16.55	47.87
1/2 Format Angle of View	Horizontal	93.65	57.82	29.42	86.77
	Vertical	71.02	44.55	22.06	64.27
Min. Object Distance		0.2m	0.3m	0.8m	0.2m
Back Focal Length		8.99mm	10.49mm	10.38mm	10.42mm
Flange Back Length		12.5mm	12.5mm	12.5mm	17.526mm
Filter Screw Size		φ 30.5mm P=0.5mm	φ 30.5mm P=0.5mm	φ 30.5mm P=0.5mm	
Temperature Range		-20°C~+50°C	-20°C~+50°C	-20°C~+50°C	-20°C~+50°C
Dimensions		φ 32×35.7mm	φ 32×35.7mm	φ 32×35.7mm	φ 42×43.5mm
Weight		34g	32g	26g	120g
Remarks					