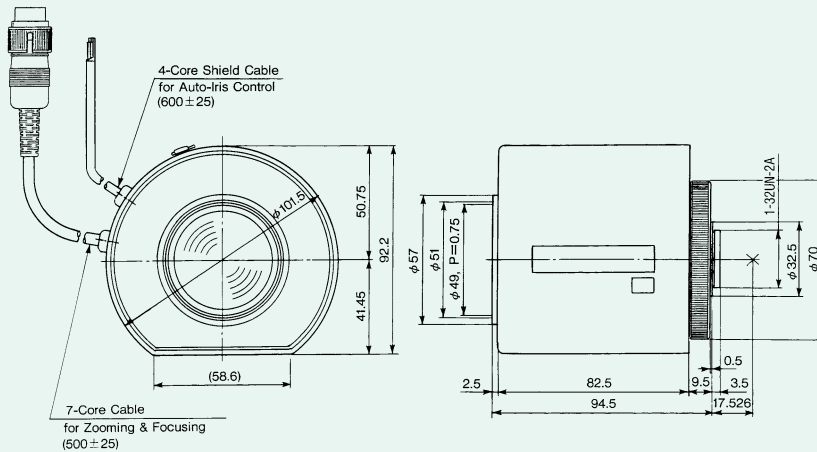


## 2/3 Format Motorized Zoom (Auto-Iris)

### C6ZAME(C31220)

C-MOUNT

Unit:mm



		Focus	Zoom
Control Voltage & Current	Type1	DC6V Max. 50mA / Motor	DC6V Max. 50mA / Motor
	Type2	DC±12V Max. 40mA / Motor	DC±12V Max. 40mA / Motor
	Type3	DC±6V Max. 50mA / Motor	DC±6V Max. 50mA / Motor
	Type5	DC12V Max. 40mA / Motor	DC12V Max. 40mA / Motor
	Operation Speed	Type1	Approx. 5.5 sec.
Type2		Approx. 5.0 sec.	Approx. 5.0 sec.
Type3		Approx. 5.5 sec.	Approx. 5.5 sec.
Type5		Approx. 5.0 sec.	Approx. 5.0 sec.

#### Specification

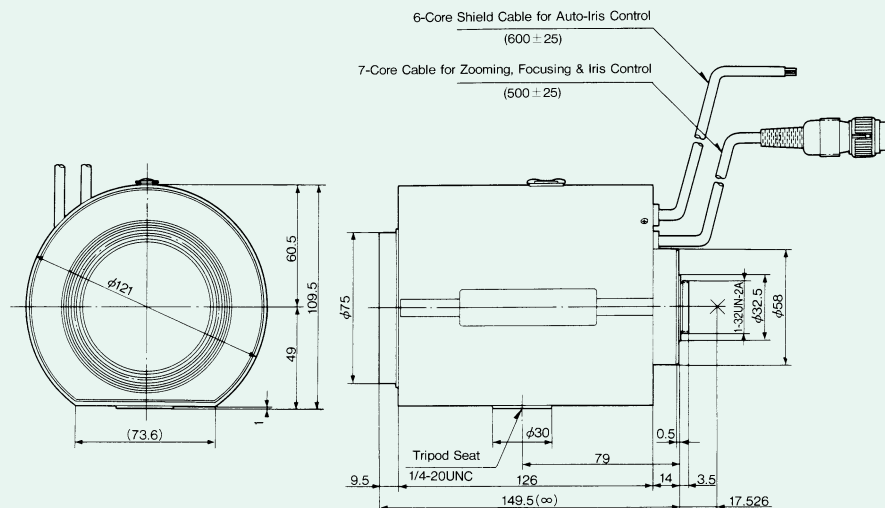
Focal Length	12.5~75mm	
Max. Aperture Ratio	1:1.8	
Iris Range	F1.8~720	
Operation Method	Iris	Auto
	Focus	Motorized
	Zoom	Motorized
1/4 Format Angle of View	Horizontal	16.06~2.75
	Vertical	12.06~2.06
1/3 Format Angle of View	Horizontal	21.38~3.66
	Vertical	16.06~2.75
1/2 Format Angle of View	Horizontal	28.41~4.87
	Vertical	21.38~3.66
Min. Object Distance	1m	
Back Focal Length	18.41mm	
Flange Back Length	17.526mm	
Filter Size	φ 49.0mm P=0.75mm	
Applicable Temp. Range	-10°C~+50°C	
Dimensions	101.5×92.2×94.5mm	
Weight	620g	
Metering Method	Continuously Adj.	
Supply Vol. & Current	DC8~15V Max. 35mA	
Input Signal	VS or V Signal	
Iris Accuracy	±20% at V Signal Level	
Sensitivity Adj.	0.5~1.0Vp at V Signal Level	
Input Impedance	High Impedance	
Response Speed	Approx. 1.5 sec.	
Remarks	Video Iris	

## 2/3 Format Motorized Zoom (Auto-Iris)

### C10ZAME(C31002)

C-MOUNT

Unit:mm



		Focus	Zoom
Control Voltage & Current	Type1	DC6V Max. 65mA / Motor	DC6V Max. 65mA / Motor
	Type2	DC±12V Max. 45mA / Motor	DC±12V Max. 45mA / Motor
	Type3	DC±6V Max. 65mA / Motor	DC±6V Max. 65mA / Motor
	Type5	DC12V Max. 45mA / Motor	DC12V Max. 45mA / Motor
	Operation Speed	Type1	Approx. 5.5 sec.
Type2		Approx. 5.5 sec.	Approx. 5.5 sec.
Type3		Approx. 5.5 sec.	Approx. 5.5 sec.
Type5		Approx. 5.5 sec.	Approx. 5.5 sec.

#### Specification

Focal Length	10.5~105mm	
Max. Aperture Ratio	1:1.4~1.6	
Iris Range	F1.4~1000	
Operation Method	Iris	Auto
	Focus	Motorized
	Zoom	Motorized
1/4 Format Angle of View	Horizontal	18.97~2.02
	Vertical	14.25~1.51
1/3 Format Angle of View	Horizontal	25.24~2.68
	Vertical	18.97~2.02
1/2 Format Angle of View	Horizontal	33.49~3.56
	Vertical	25.24~2.68
Min. Object Distance	1m	
Back Focal Length	18.49mm	
Flange Back Length	17.526mm	
Filter Size	φ 72.0mm P=0.75mm	
Applicable Temp. Range	-10°C~+50°C	
Dimensions	121×109.5×149.5mm	
Weight	1380g	
Metering Method	Continuously Adj.	
Supply Vol. & Current	DC8~15V Max. 50mA	
Input Signal	VS or V Signal	
Iris Accuracy	±20% at V Signal Level	
Sensitivity Adj.	0.5~1.0Vp at V Signal Level	
Input Impedance	High Impedance	
Response Speed	Approx. 1.5 sec.	
Remarks	Video Iris	